

# **XYKD150-III整车配件目录及配件价格\$**

(卡丁车)

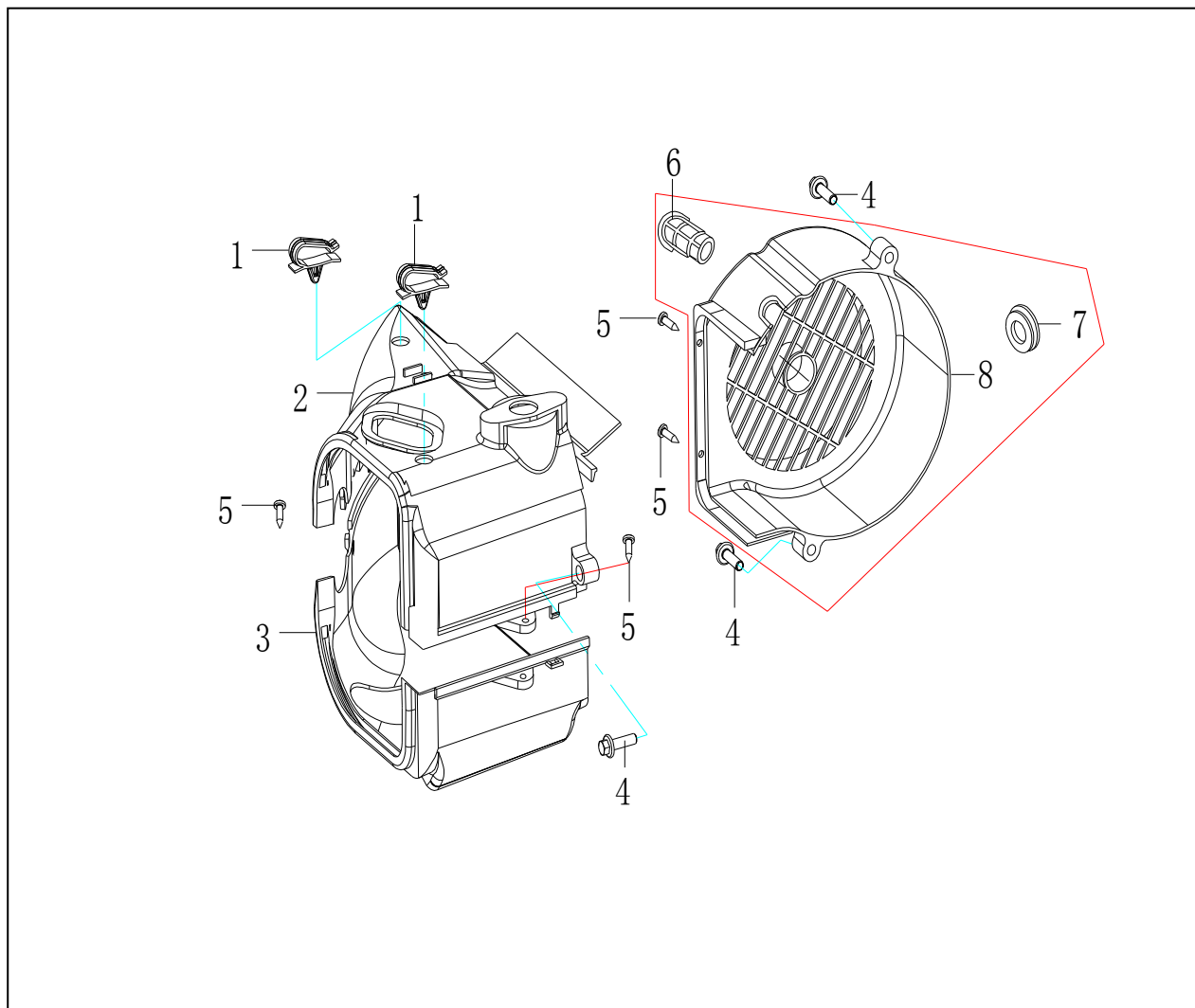
星月集团经济运行部

28/01/2007

E-1

风扇盖、引擎罩盖

FAN COVER,SHROUD

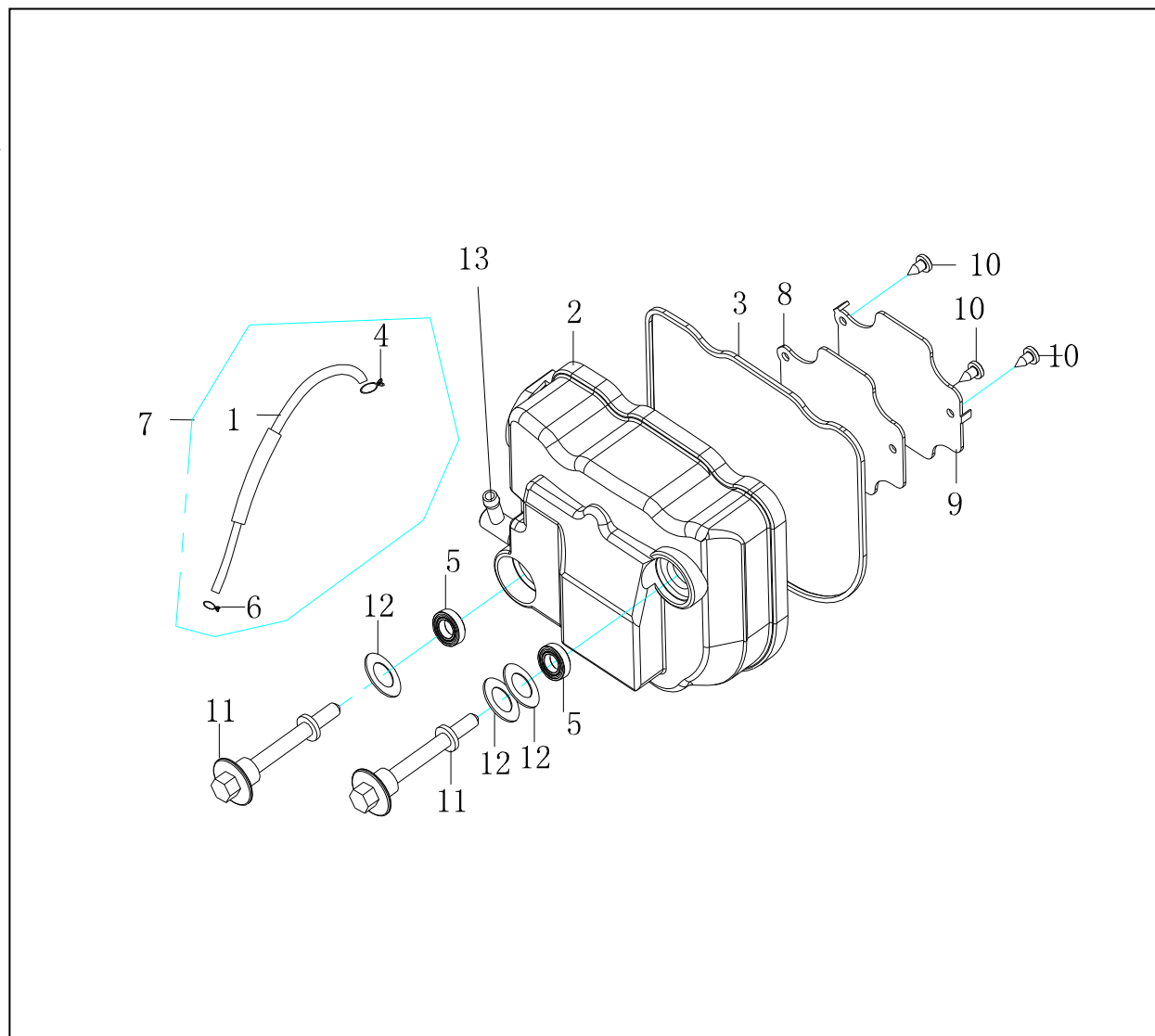




E-2

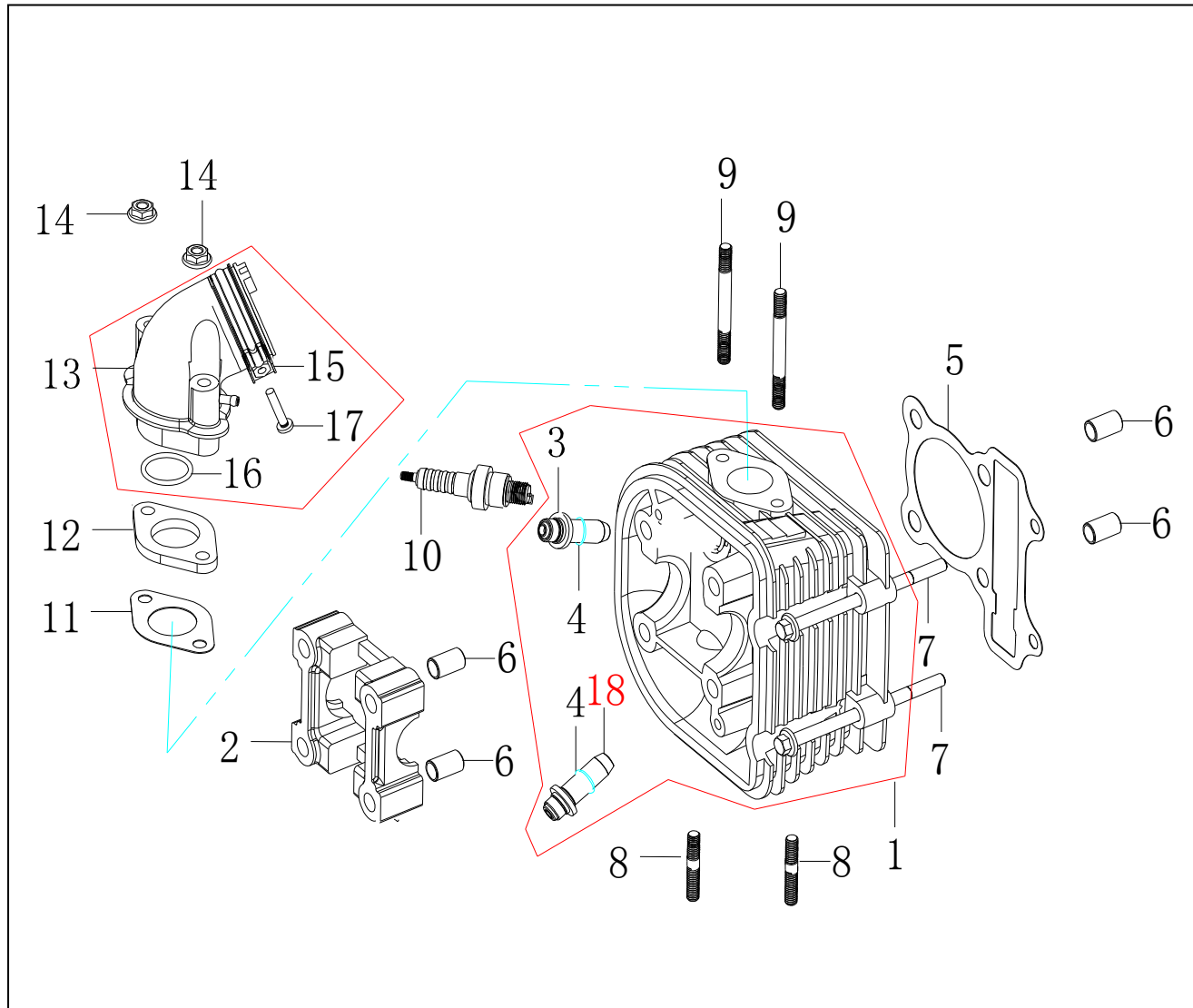
汽缸头盖组件

CYLINDER HEAD COVER



E-2 汽缸头盖组件---CYLINDER HEAD COVER						
序号	代号(PART NO.)	名称	DESCRIPTION	数量	备注	单价\$
REF NO.				REGD NO.	REMARK	PRICE
1	122102060010	通气橡胶管	VENTILATION RUBBER TUBE	1		
2	122201040010	汽缸罩盖	CYLINDER COVER LID	1		
3	122201040040	气缸头罩盖密封圈	AIRPROOF RING	1		
5	122202000080	油封组件	OIL SEAL COMPONENTS	2		
4	122102060020	锁紧圈8.5	LOCK RING 8.5	1		
6	122102060040	锁紧圈	LOCK RING	1		
7	122102060000	通气橡胶管组件	VENTILATION RUBBER TUBE COMPONENTS	1		
8	122201040020	密封垫片	AIRPROOF GASKET	1		
9	122201040030	盖板	LID BOARD	1		
10	GB845-85. 4210	自攻螺钉ST4. 2×10	SELF-LOCK BOLT ST 4. 2x10	3		
11	122202000070	压紧螺栓	IMPACT BOLT	2		
12	122202000060	尼龙垫片	GASKET	3		
13	113101041000	接头	TUBE CONNECTOR	1		

E-3  
汽缸头  
CYLINDER

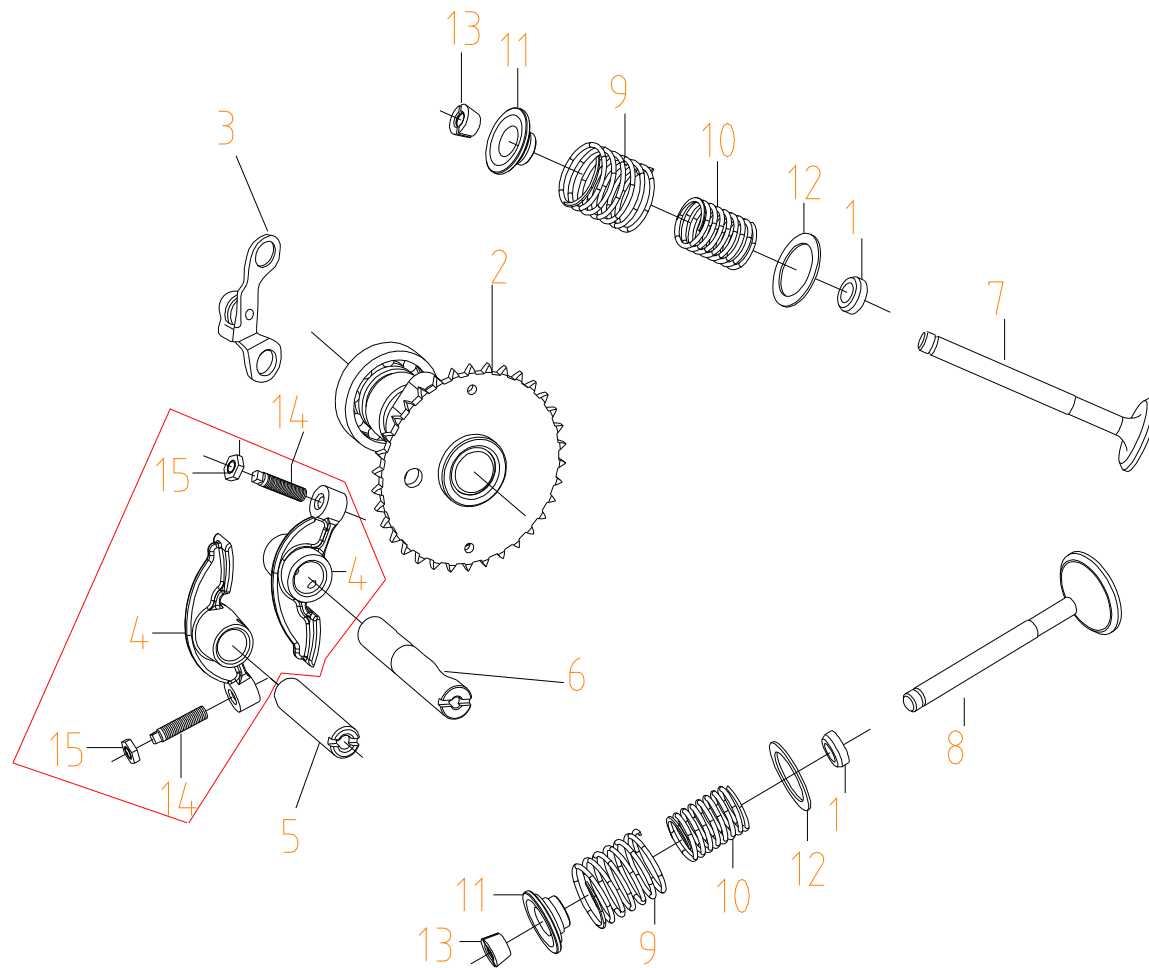


<b>E-3 汽缸头---CYLINDER</b>						
序号	代号(PART NO.)	名称	DESCRIPTION	数量	备注	单价\$
REF NO.				REGD NO.	REMARK	PRICE
1	127101011000	气缸盖组件	CYLINDER LID COMPONENTS	1		
3	122201011010	进气门导管	INLET DOOR CONDUIT	1		
4	GB3452.1-82.9518	O型圈 $\phi$ 9.5X1.8	O-RING $\phi$ 9.5X1.8	2		
18	122201011040	排气门导管	EXIT DOOR CONDUIT	1		
2	122201000010	凸轮轴固定座	CAMSHAFT FIXING BASE	1		
5	127101000050	气缸盖垫片	CYLINDER LID GASKET	1		
6	122101000020	定位销10x16	POSITIONING PIN 10×16	4		
7	122101000030	螺栓M6x100	BOLT M6×100	2		
8	GB900-88.0835	双头螺柱M8x35	DUAL-HEAD STUD M8×35	2		
9	GB900-88.0662	双头螺柱M6x62	DUAL-HEAD STUD M6×62	2		
10	122110300000	火花塞	SPARK PLUG	1		
11	122101010020	进气管垫片	INLET TUBE GASKET	1		
12	122101010010	进气管隔热板	INLET TUBE HEAT INSULATION BOARD	1		
13	122101030000	进气管组件	INLET TUBE COMPONENTS	1		
15	122101060000	进气管夹组件	INLETNTUBE CLAMP COMPONENTS	1		
16	GB3452.1-82.6518	O型圈 $\phi$ 6.5X1.8	O-RING $\phi$ 6.5X1.8	1		
17	GB818-85.0425	十字盘头螺栓M4X25	CROSS PAN HEAD BOLT M4X25	1		
14	GB6177-86.06	螺母M6	NUT M6	2		

E-4

凸轮轴、气门

CAMSHAFT.VALVE

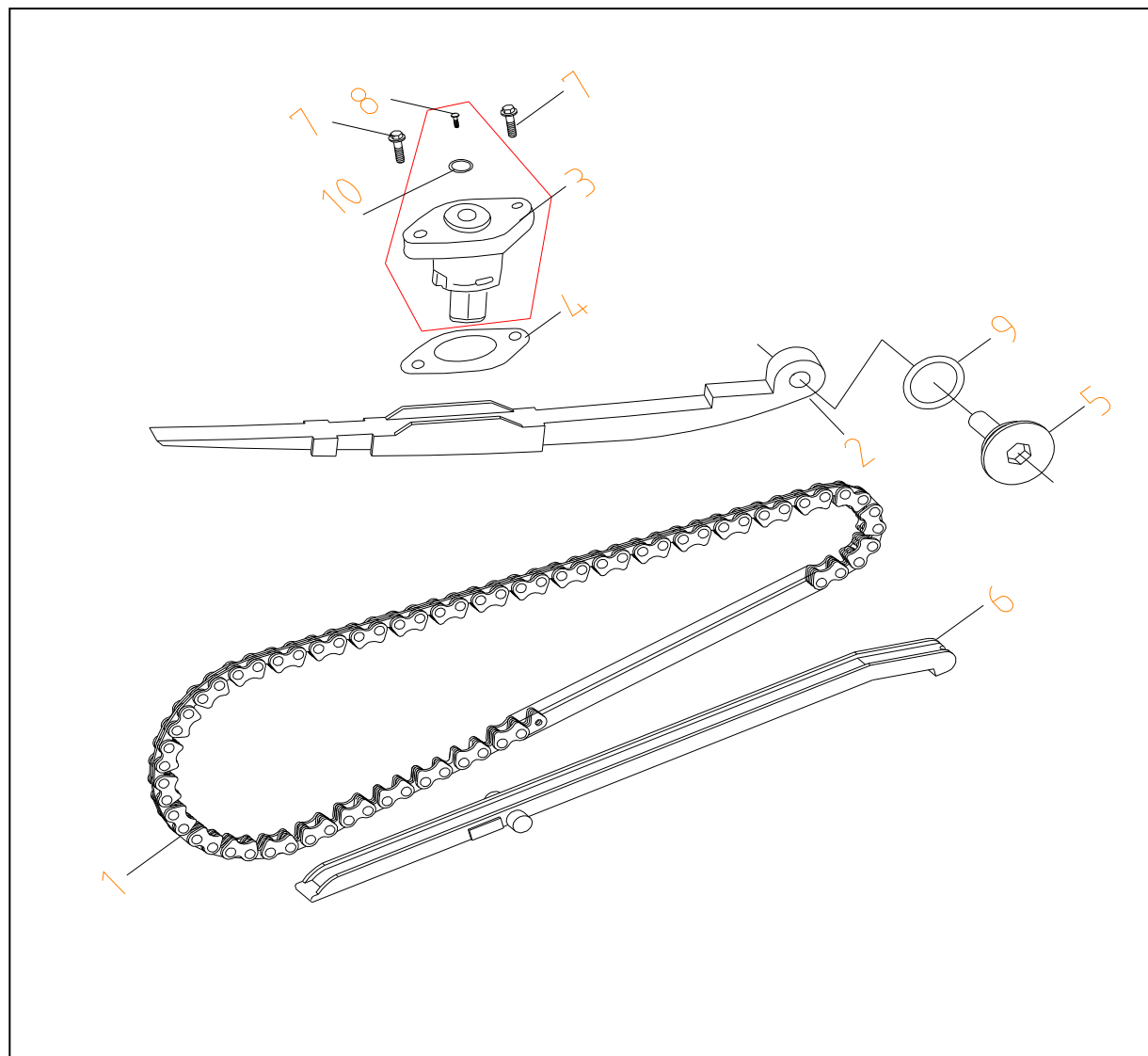


E-4 凸轮轴、气门---CAMSHAFT.VALVE						
序号	代号(PART NO.)	名称	DESCRIPTION	数量	备注	单价\$
REF NO.				REGD NO.	REMARK	PRICE
1	122101012000	气门杆油封组件	VALVE SHANK OIL SEAL COMPONENTS	2		
2	122204010000	凸轮轴分部件	CAMSHAFT SUB-PARTS	1		
3	122104010020	限位板组件	LIMIT BOARD COMPONENTS	1		
5	122104080000	进气门摇臂轴组件	INLET DOOR ROCKER SHAFT COMPONENTS	1		
6	122104000090	排气门摇臂轴	EXHAUST DOOR ROCKER SHAFT	1		
7	122204000070	进气门	INLET DOOR	1		
8	122204000030	排气门	EXHAUST DOOR	1		
9	122204000040	气门外弹簧	EXTERIOR VALVE SPRING	2		
10	122204000050	气门内弹簧	INTERIOR VALVE SPRING	2		
11	122104000010	气门弹簧座	VALVE SPRING BASE	2		
12	122104000070	气门弹簧外座	VALVE SPRING OUTER BASE	2		
13	122104000020	气门锁夹	VALVE LOCK CLAMP	4		
4	122204000100	气门摇臂	VALVE LOCK	2		
14	122104000110	气门调整螺钉	VALVE ADJUST BOLT	2		
15	122104000100	气门调整螺母	VAVLE ADJUST NUT	2		

E-5

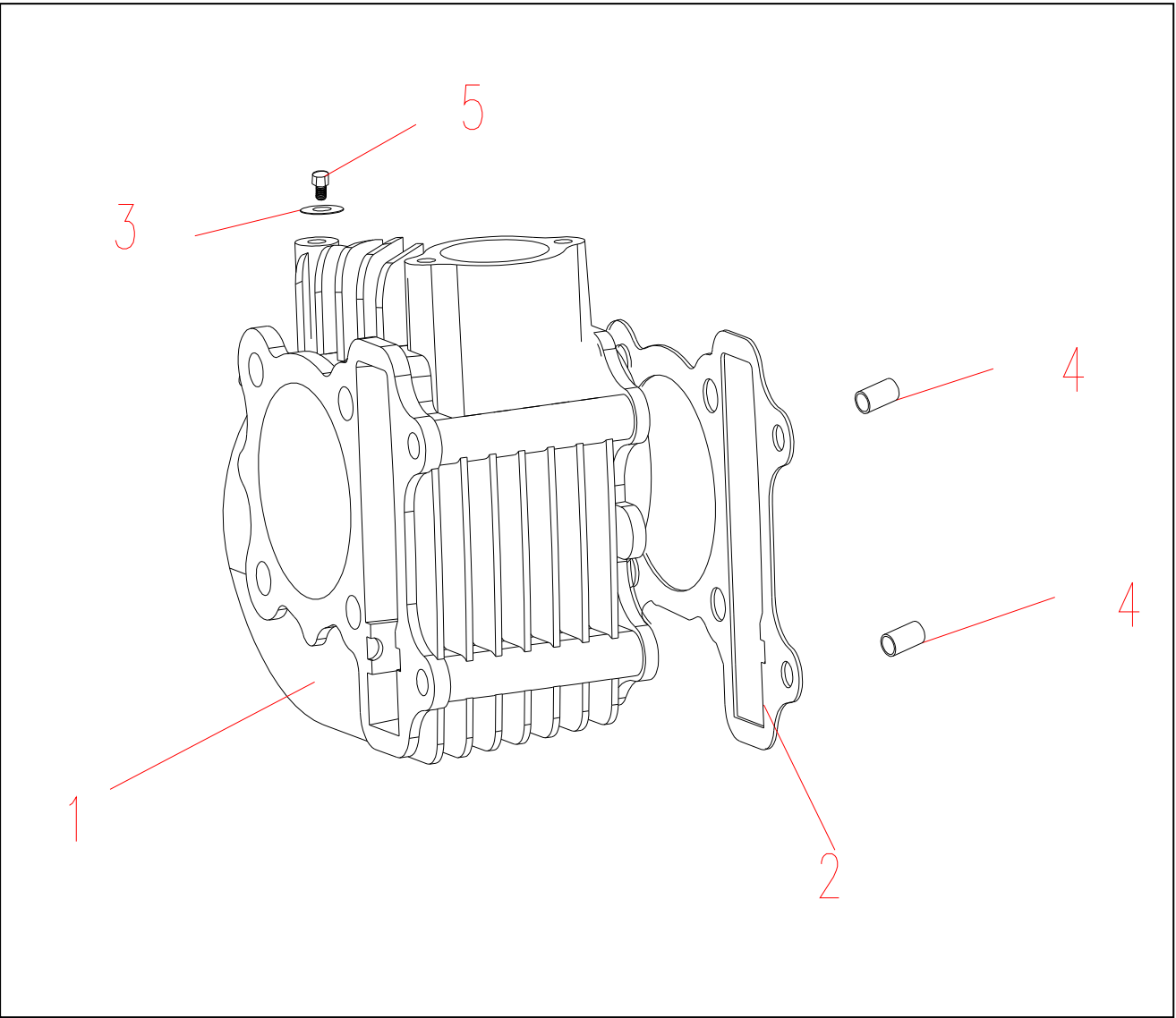
配气链条.拉力杆

CAM CHAIN .TENSIONER





E-6  
气缸体  
CYLINDER BODY

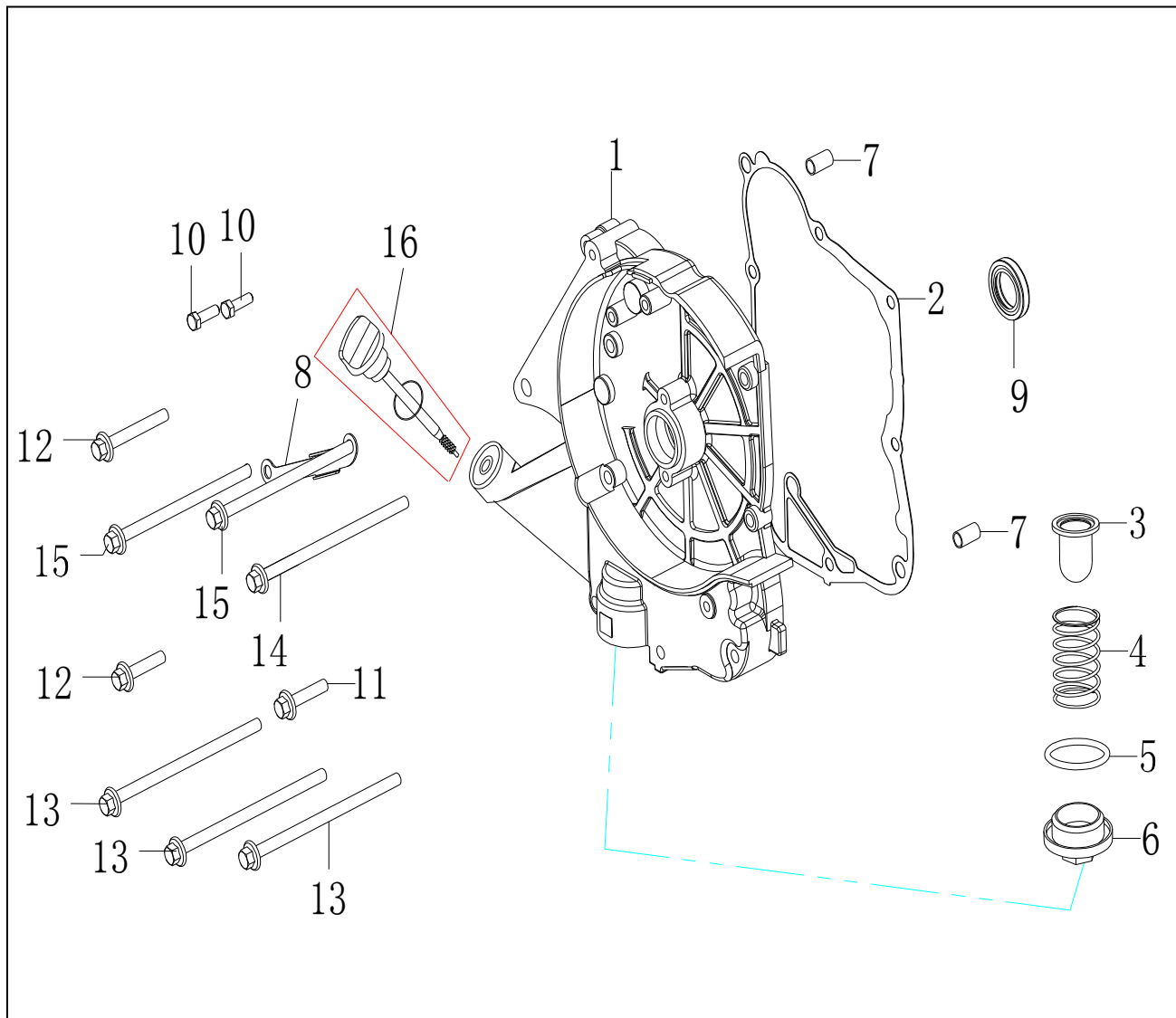




E-7

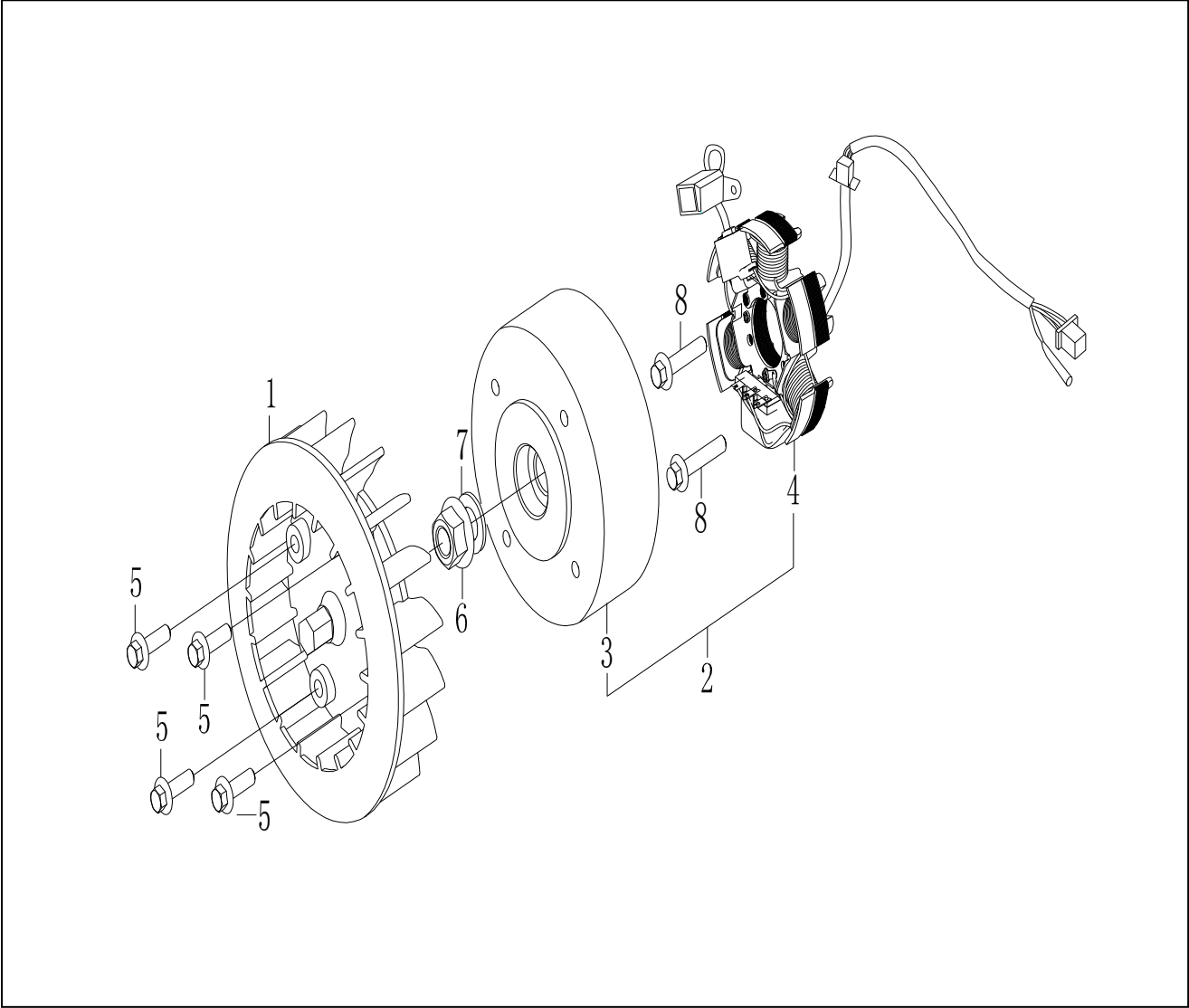
右曲轴箱盖

RIGHT CRANKCASE  
COVER



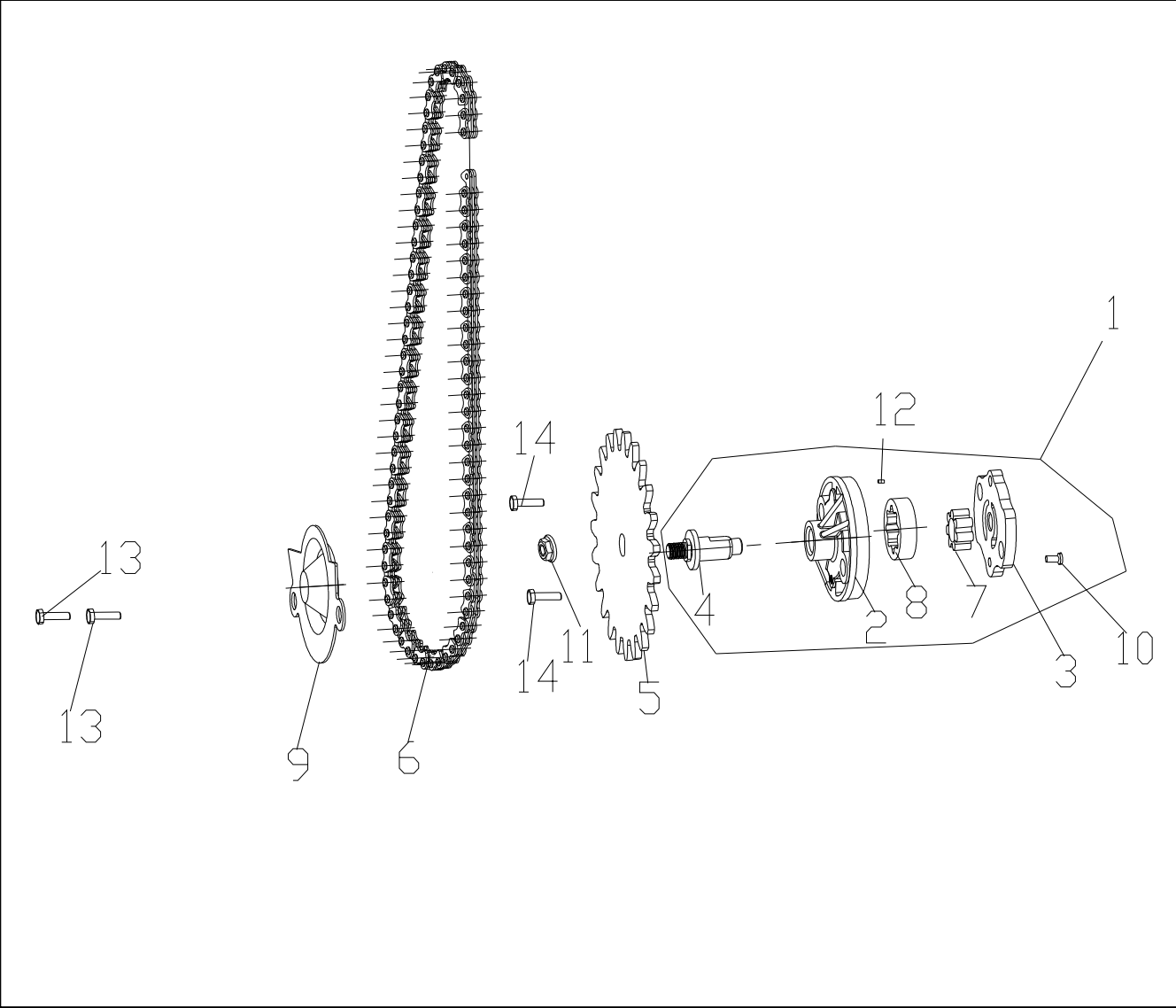
<b>E-7 右曲轴箱盖---RIGHT CRANKCASE COVER</b>						
序号	代号(PART NO.)	名称	DESCRIPTION	数量	备注	单价\$
REF NO.				REGD NO.	REMARK	PRICE
1	122102030010	右曲轴箱盖	RIGHT CRANKCASE LID	1		
2	122102000060	右曲轴箱盖垫片	RIGHT CRANKCASE LID GASKET	1		
3	122102031000	滤油网组件	OIL SCREEN COMPONENTS	1		
4	122102030020	滤油网弹簧	OIL SCREEN SPRING	1		
5	122102030030	O型圈18×3	O-RING 18×3	1		
6	136204030040	滤油网帽盖	OIL SCREEN CAP LID	1		
7	122102020010	定位销8×14	POSITIONING PIN 8×14	2		
8	122102000110	触发线圈压线架	TOUCH-AND-GO COIL PRESS WIRE RACK	1		
9	122102023000	油封 19.8×30×5	OIL SEAL 19.8×30×5	1		
10	GB5787-86.0512	螺栓M5×12	FLANGE BOLT M5×12	2		
11	GB5787-86.0630	螺栓M6×30	FLANGE BOLT M6×30	1		
12	GB5787-86.0635	螺栓M6×35	FLANGE BOLT M6×35	2		
13	GB5787-86.0695	螺栓M6×95	FLANGE BOLT M6×95	3		
14	GB5787-86.06100	螺栓M6×100	FLANGE BOLT M6×100	1		
15	GB5787-86.06110	螺栓M6×110	FLANGE BOLT M6×110	2		
16	113102042050	机油尺	OIL SCAL	1		

E-8  
磁电机  
GENERATOR





E-9  
机油泵  
OIL PUMP

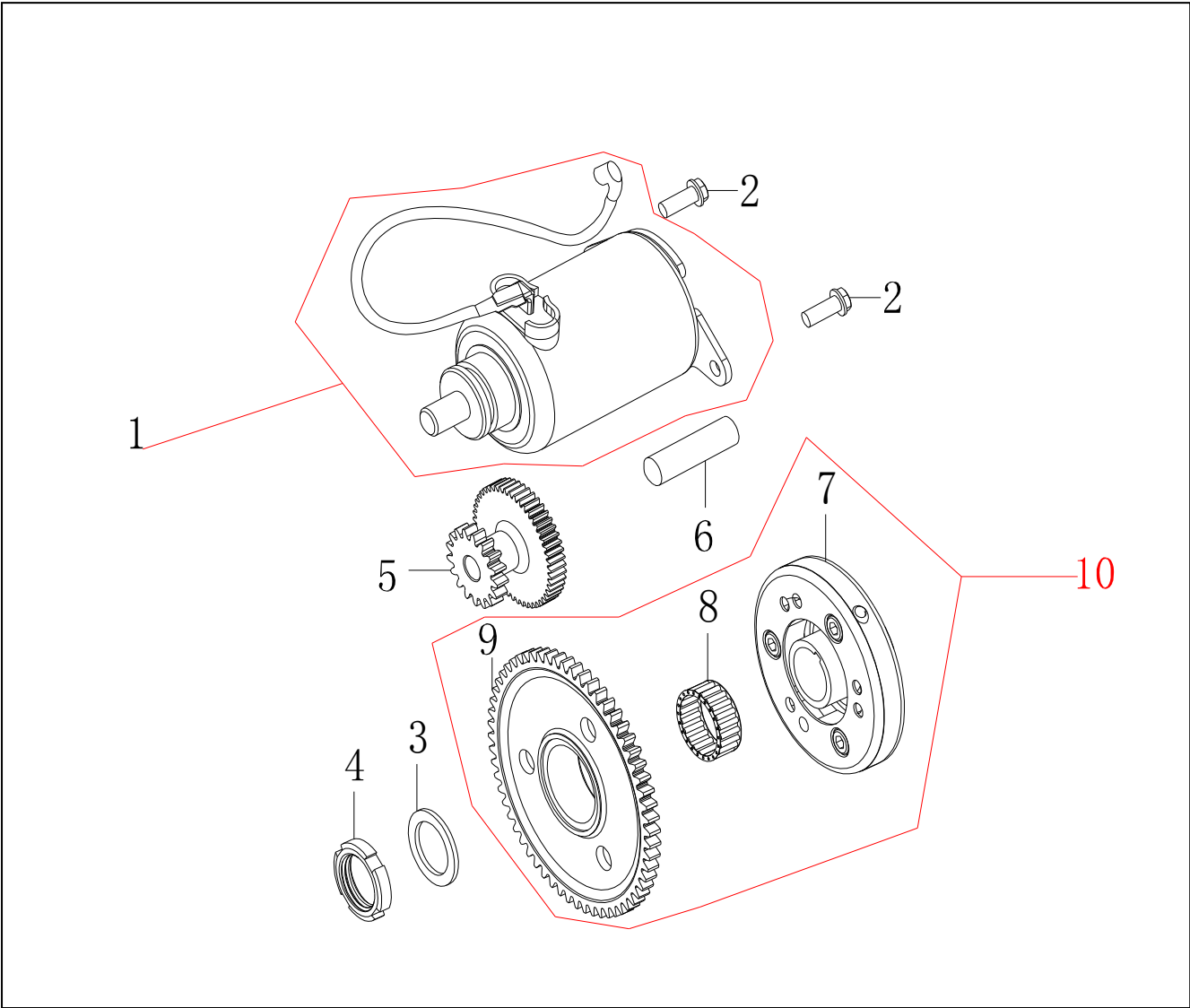


<b>E-9 机油泵---OIL PUMP</b>						
序号	代号(PART NO.)	名称	DESCRIPTION	数量	备注	单价\$
REF NO.				REGD NO.	REMARK	PRICE
1	122112020000	机油泵组件	MACHINE OIL PUMP COMPONENTS	1		
2	122112020030	机油泵体	MACHINE OIL PUMP BODY	1		
3	122112020040	机油泵盖	MACHINE OIL PUMP LID	1		
4	122112020060	机油泵轴	MACHINE OIL PUMP AXIS	1		
7	122111020020	油泵内转子	OIL PUMP INNER ROTOR	1		
8	122112020010	油泵外转子	OIL PUMP OUTER ROTOR	1		
10	GB818-85.0312	螺钉 M3X12	SCREW, PAN 3X12	1		
12	122112020050	定位销 4X6.5	PIN C, DOWEL 4X6.5	1		
5	122112020070	机油泵链轮	MACHINE OIL PUMP CHAIN WHEEL	1		
6	122112010000	机油泵链条6.35X44	MACHINE OIL PUMP CHAIN 6.35×44	1		
9	122112000010	机油分隔板	MACHINE OIL PARTITION	1		
11	GB6177-86.06	螺母M6	NUT, FLANGE M6	1		
13	GB5787-86.0612	凸缘螺栓M6×12	BOLT FLANGE 6×12	2		
14	GB5787-86.0625	凸缘螺栓M6×25	BOLT FLANGE 6×25	2		

E-10

电起动机构

STARTING MOTOR

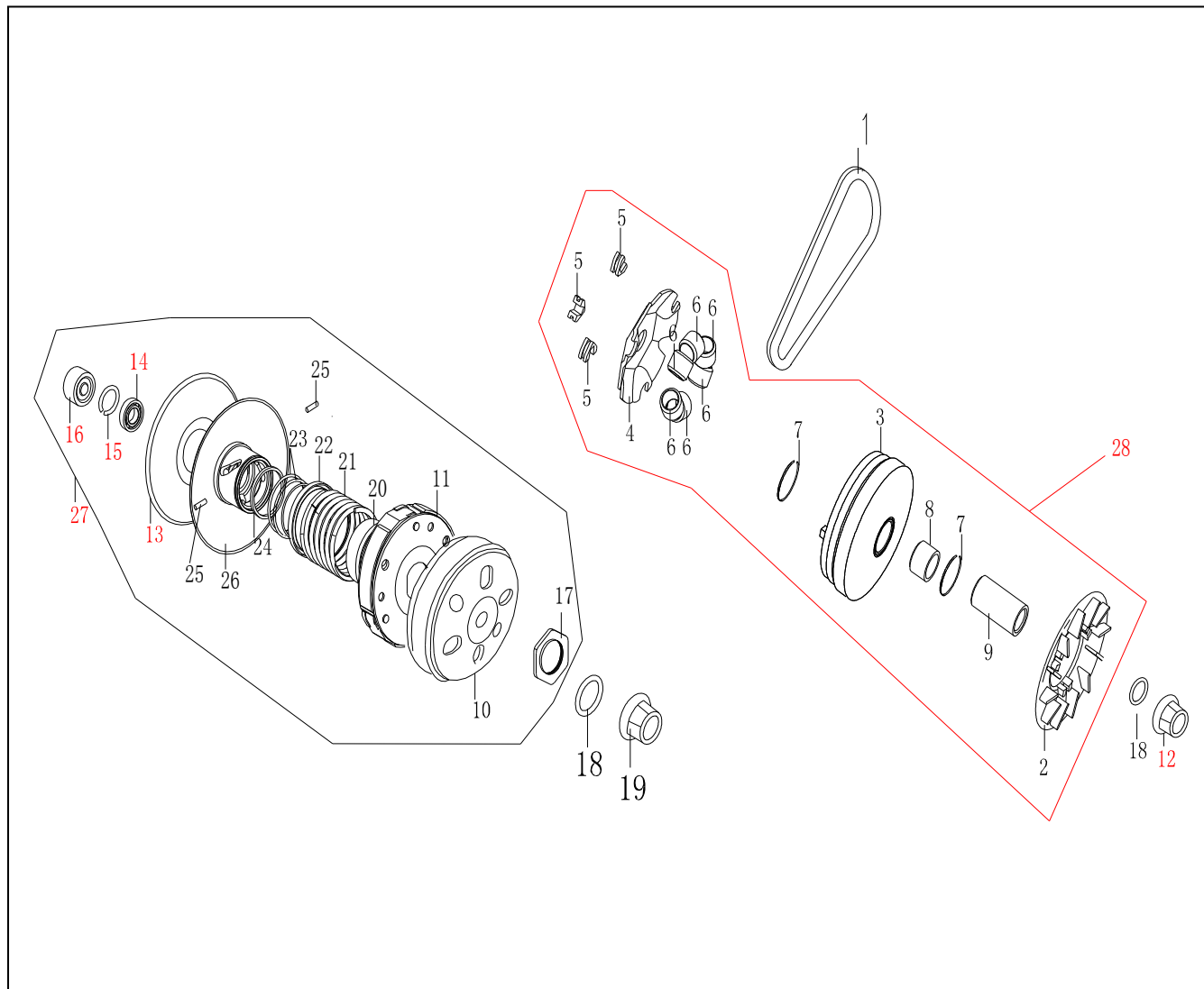


<b>E-10 电起动机构---STARTING MOTOR</b>						
序号	代号(PART NO.)	名称	DESCRIPTION	数量	备注	单价\$
REF NO.				REGD NO.	REMARK	PRICE
1	122111010000	起动电机	START MOTOR	1		
2	GB5787-86.0635	六角圆柱头螺钉M6×35	HEXAGON ROUND CHAPTER BOLT M6×35	2		
3	122103000050	垫圈	GASKET	1		
4	122103000040	锁紧螺母M22	LOCK TIGHT NUT M22	1		
5	122111000010	电起动减速齿轮	ELECTRICAL-START SLOWDOWN WHEEL	1		
6	122111000020	电起动减速齿轮轴	ELECTRICAL-START SLOWDOWN WHEEL SHAFT	1		
7	122111021000	离合器外罩	CLUTCH WRAP	1		
8	122111023000	滚针轴承	NEEDLE BEARING	1		
9	122111022000	起动离合器齿轮	START CLUTCH WHEEL	1		
10	122111020000	超越离合器	CLUTCH COMPONENTS	1		

E-11

传动系-1

TRANSMISSION-1



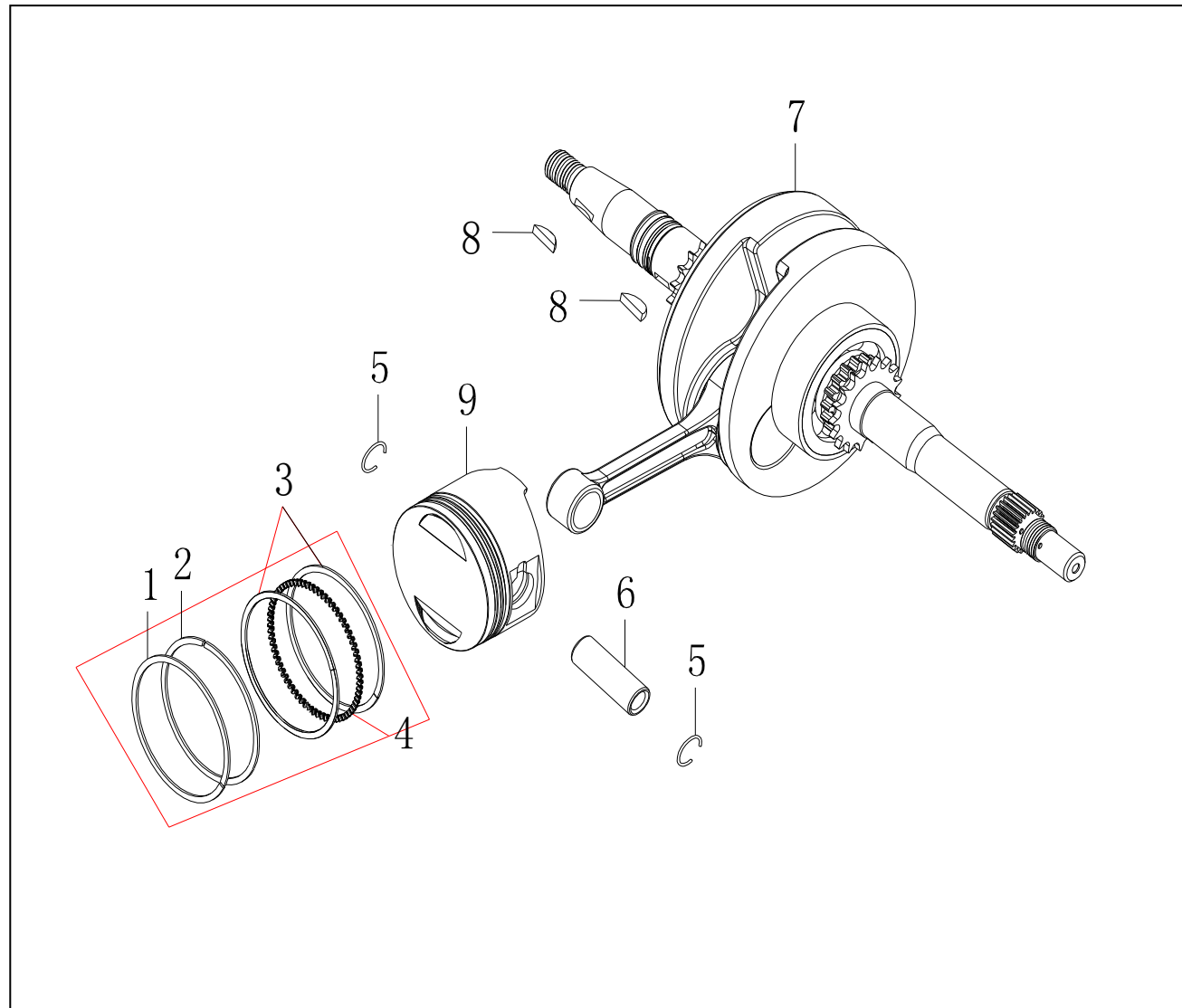
E-11 传动系-1---TRANSMISSION-1						
序号	代号(PART NO.)	名称	DESCRIPTION	数量	备注	单价\$
REF NO.				REGD NO.	REMARK	PRICE
1	127105000060	驱动皮带(加长)	DRIVE STRAP	1		
12	GB6177-86.12	螺母M12	FLANGE NUT M12	1		
18	GB97.1-85.12	垫片12	GASKET 12	2		
19	GB6177-86.12	螺母	FLANGE NUT M12	1		
27	122105040000	从动轮总成	FOLLOWER WHEEL COMPONENTS	1		
10	122105050000	离合器外壳组件	CLUTCH SHELL COMPONENTS	1		
11	122105043000	被动无级变速盘组件	PASSIVE STEPLESS SHIFT DISK COMPONENTS	1		
13	122105043500	从动皮带盘	DRIVEN STRAP DISK	1		
14	122105040090	滚动轴承	NEEDLE BEARING	1		
15	122105040100	挡圈28	BLOCK RING 28	1		
16	122105040070	滚针轴承	NEEDLE BEARING	1		
17	122105040060	特殊螺母M28	SPECIAL NUT M28	1		
20	122105040030	套筒	SLEEVE	1		
21	122105040020	驱动弹簧	DRIVEN SPRING	1		
22	122105040010	油封套筒	OIL SEAL SLEEVE	1		
23	GB3452.1-1982	O型圈	O-RING	2		
24	122105040080	油封	OIL SEAL	2		
25	122105040012	滚珠导销	BALL BEARING GUIDE PIN	1		
26	122105042000	被动无级 变速盘	PASSIVE STEPLESS SHIFT DISK	1		



E-12

曲轴.活塞

CRANKSHAFT.PISTON

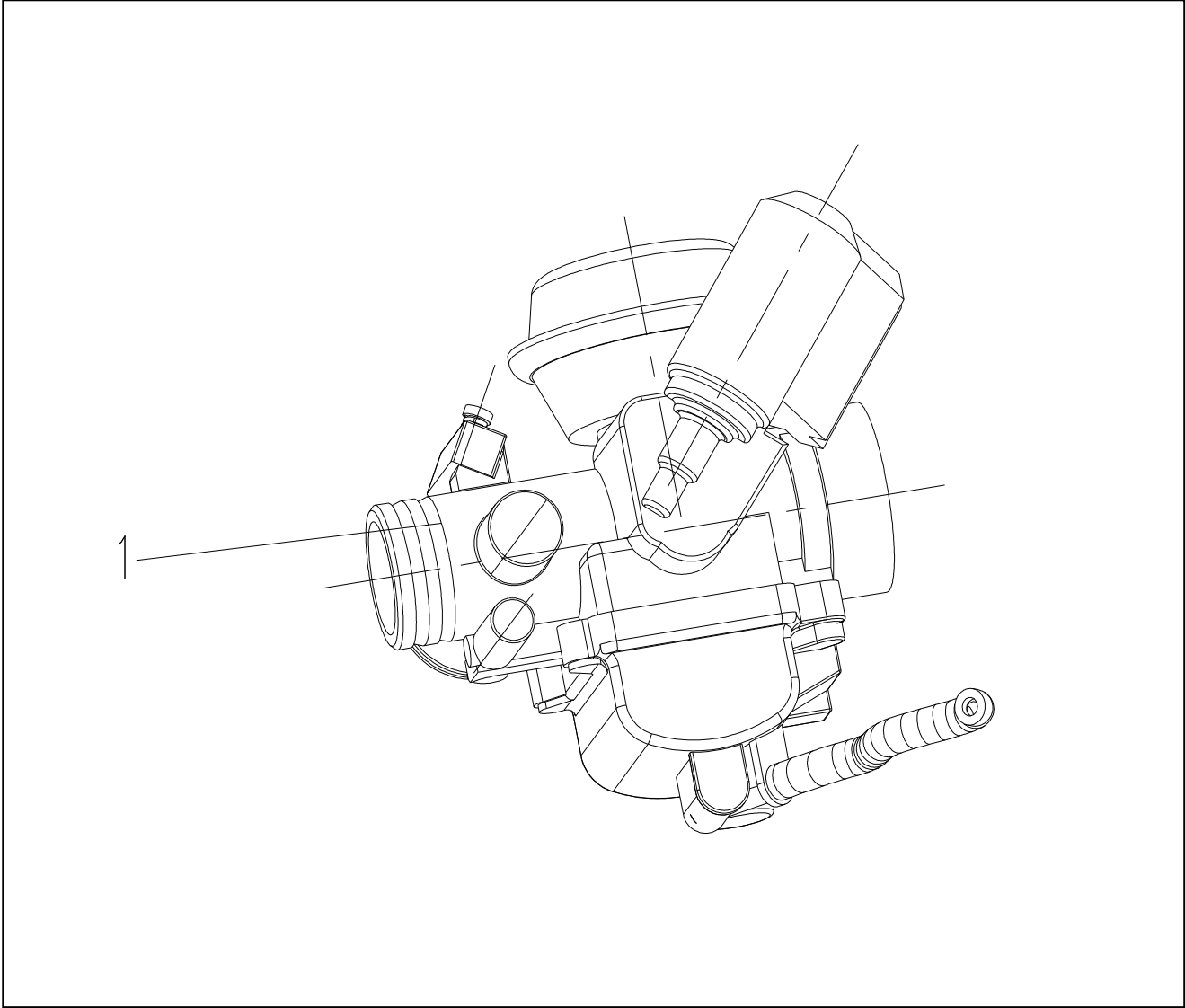




E-13

化油器

CARBURETOR

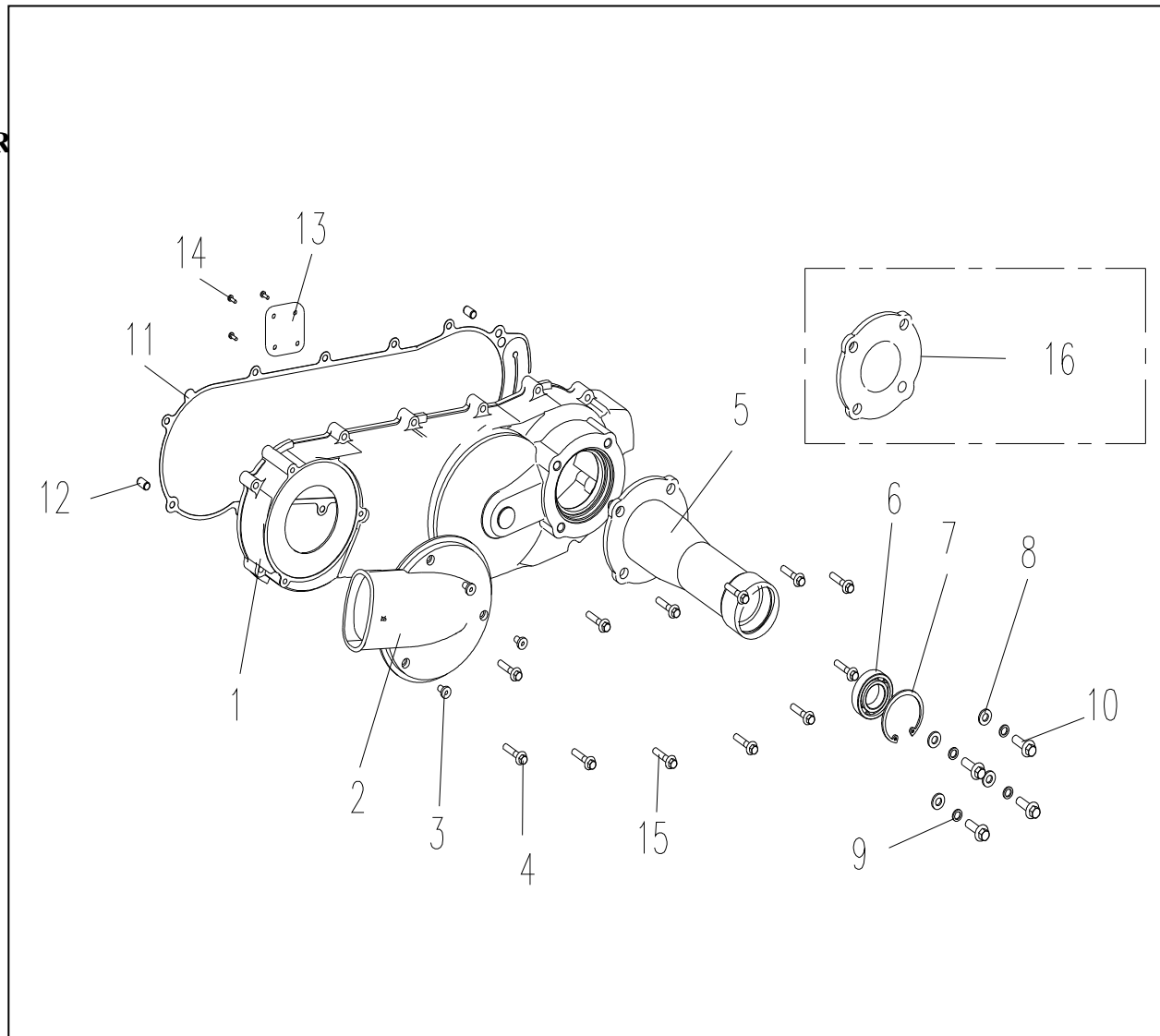




E-14

左曲轴箱盖

LEFT CRANKCASE COVER

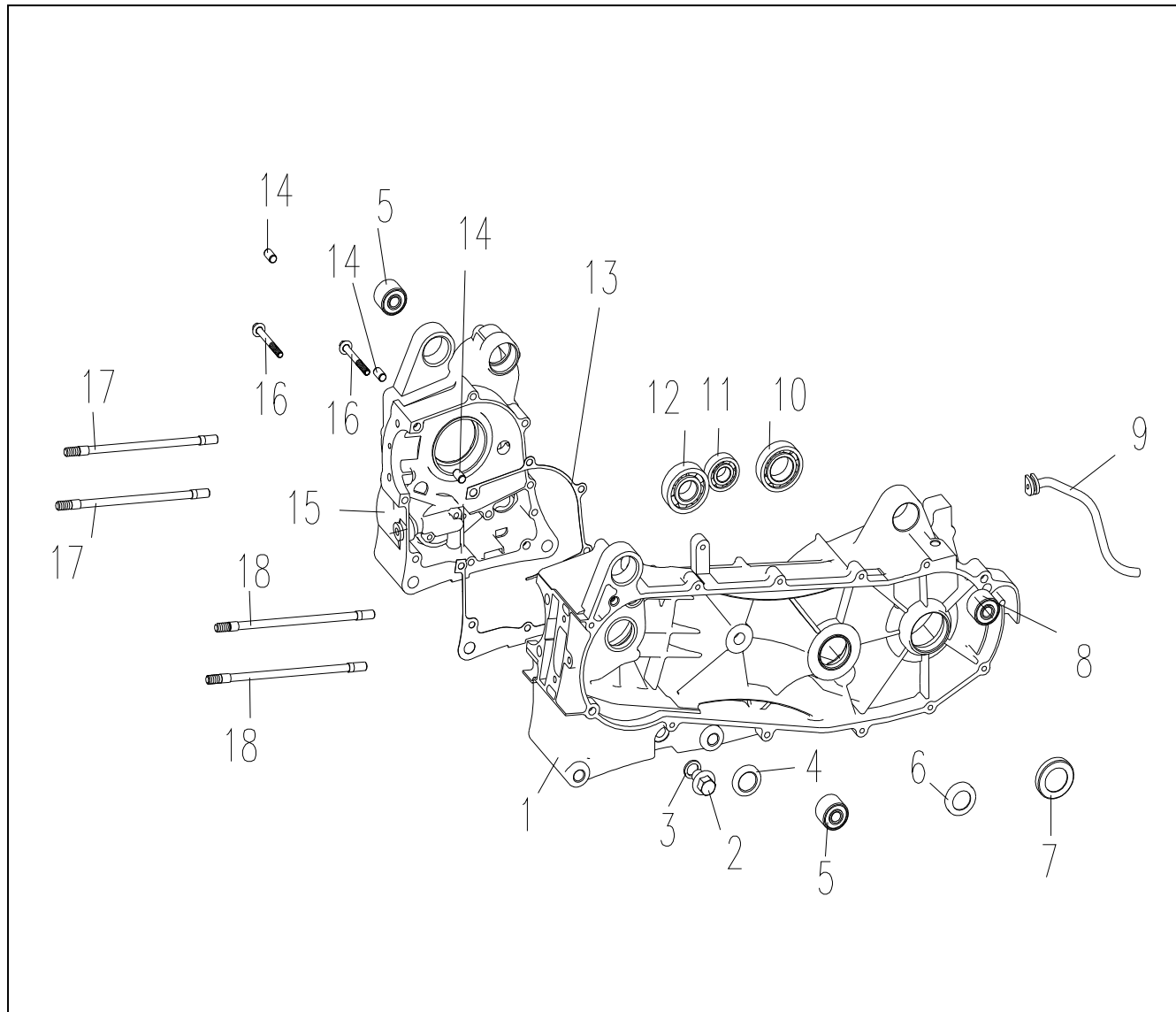


E-14 左曲轴箱盖---LEFT CRANKCASE COVER						
序号	代号(PART NO.)	名称	DESCRIPTION	数量	备注	
REF NO.				REGD NO.	REMARK	
1	135301020010	左曲轴箱盖	LEFT CRANKCASE LID	1		
2	122102040030	左曲轴箱盖进气口	LEFT CRANKCASE LID AIR INLET	1		
3	GB 818-2000.0520	螺钉M5×20	FLANGE BOLT M5×20	3		
4	GB5787-86.0645	螺栓M6×45	FLANGE BOLT 6×45	2		
5	135301020030	后桥壳体（左）	REAR AXLE HOUSING(LEFT)	1	一体化用	
6	GB 276-94.62/22	轴承 62/22（22×50×14双面密封）	BEARING62/22(22×50×14)	1		
7	GB 894.1-86.50	挡圈50	BLOCK RING 50	1		
8	GB 95-85.08	垫圈 8	WASHER 8	4		
9	GB 93-87.08	弹簧垫圈 8	SPING WASHER 8	4		
10	GB70-85.0830	螺栓M8×30	FLANGE BOLT 8×30	4		
11	135301020020	左箱盖垫片	LEFT CRANKCASE LID GASKET	1		
12	122102020010	定位销8×14	POSITIONING PIN 8×14	2		
13	152FM.14-1	通气导板	VENTILATION GUIDE PLATE	1		
14	GB 845-85.4295	螺钉ST4.2×9.5	FLANGE BOLT ST4.2×9.5	4		
15	GB5787-86.0635	螺栓M6×35	FLANGE BOLT 6×35	10		
16	135301020030	左发兰盘	LEFT FLANGE PAN	1	独立悬挂用	

E-15

曲轴箱

CRANKCASE

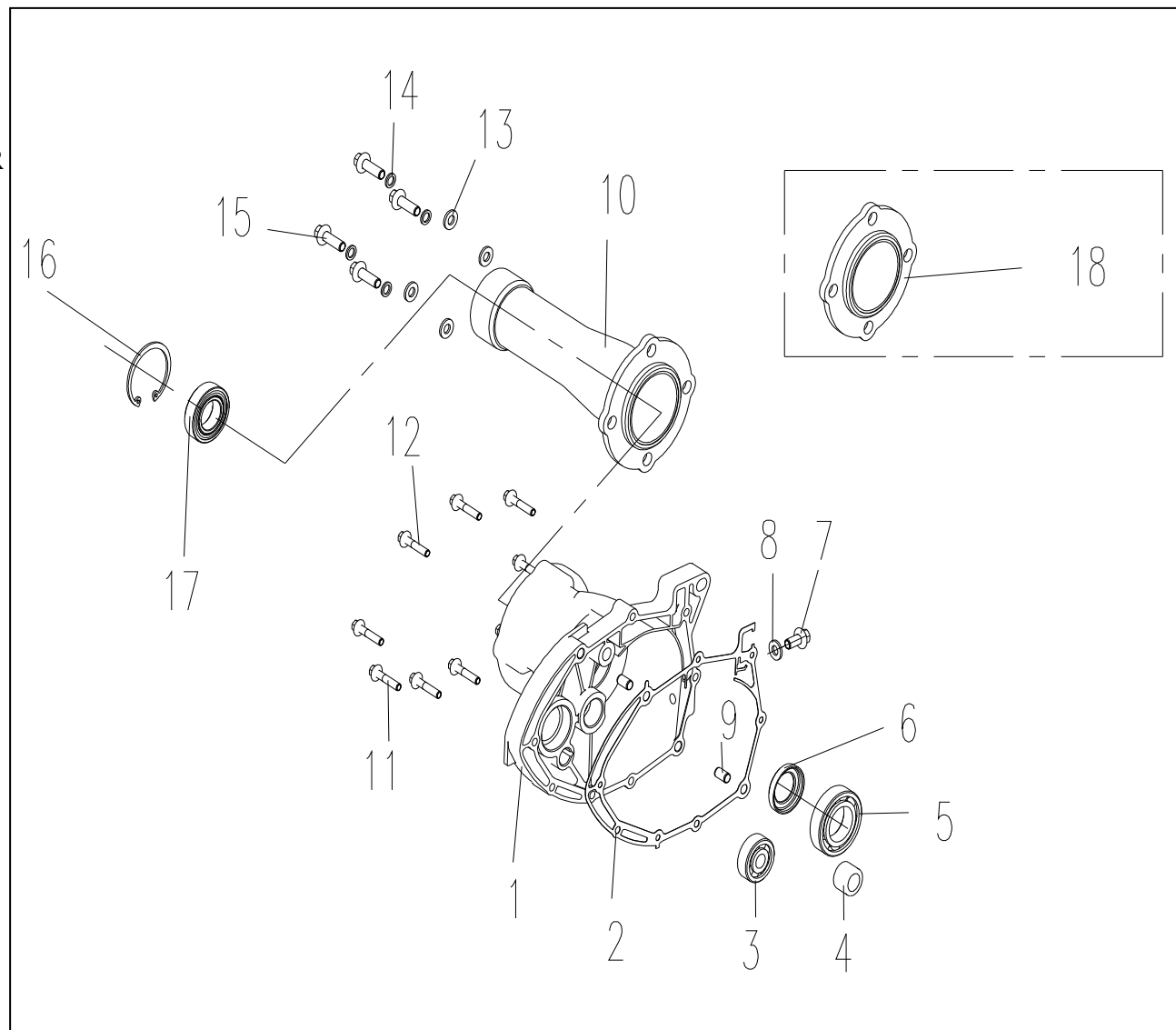


<b>E-15 曲轴箱---CRANKCASE</b>						
序号	代号(PART NO.)	名称	DESCRIPTION	数量	备注	单价\$
REF NO.				REGD NO.	REMARK	
1	127411010100	左曲轴箱体	LEFT CRANKCASE	1		
2	GB6177-86.12125	放油螺栓12X1.25	OIL-DISCHARGE BOLT	1		
3	GB 97. 1-85. 12	垫圈12	GASKET12	1		
4	122102023000	油封19.8×30×5	OIL SEAL 19.8×30×5	1		
5	122102022010	前减震套	FRONT ABSORINGE COVER	2		
6	GB16674-96.20326	油封20×32×6	OIL SEAL 20×32×6	1		
7	GB13871-92.25407	Fb油封25×40×7	FB OIL SEAL 20×34×7	1		
8	135201010200	后减震套	BACK ABSORINGE COVER	1		
9	122411000006	通气管组件	VENTILATION TUBE COMPONENTS	1		
10	GB276-94.6006	滚动轴承6006	BEARING RADIAL BALL 6006	2		
11	GB276-94.6202	滚动轴承6202	BEARING RADIAL BALL6202	1		
12	GB276-94.6204	滚动轴承6204	BEARING RADIAL BALL6204	1		
13	127402000070	合箱密封垫	CLOSING BOX AIRPROOF PAD	1		
14	TMTC-02-8-14	定位销8×14	POSITIONING PIN 8×14	2		
15	135201070100	右曲轴箱体	RIGHT CRANKCASE	1		
16	GB5787-86. 0650	螺栓M6×50	FLANGE BOLT M6×50	1		
17	122202010010	双头螺柱BM8×199	DUAL-HEAD STUD B M8×199	2		
18	122202020040	双头螺柱BM8×208	DUAL-HEAD STUD B M8×208	2		

E-16

传动箱盖

TRANSMISSION COVER

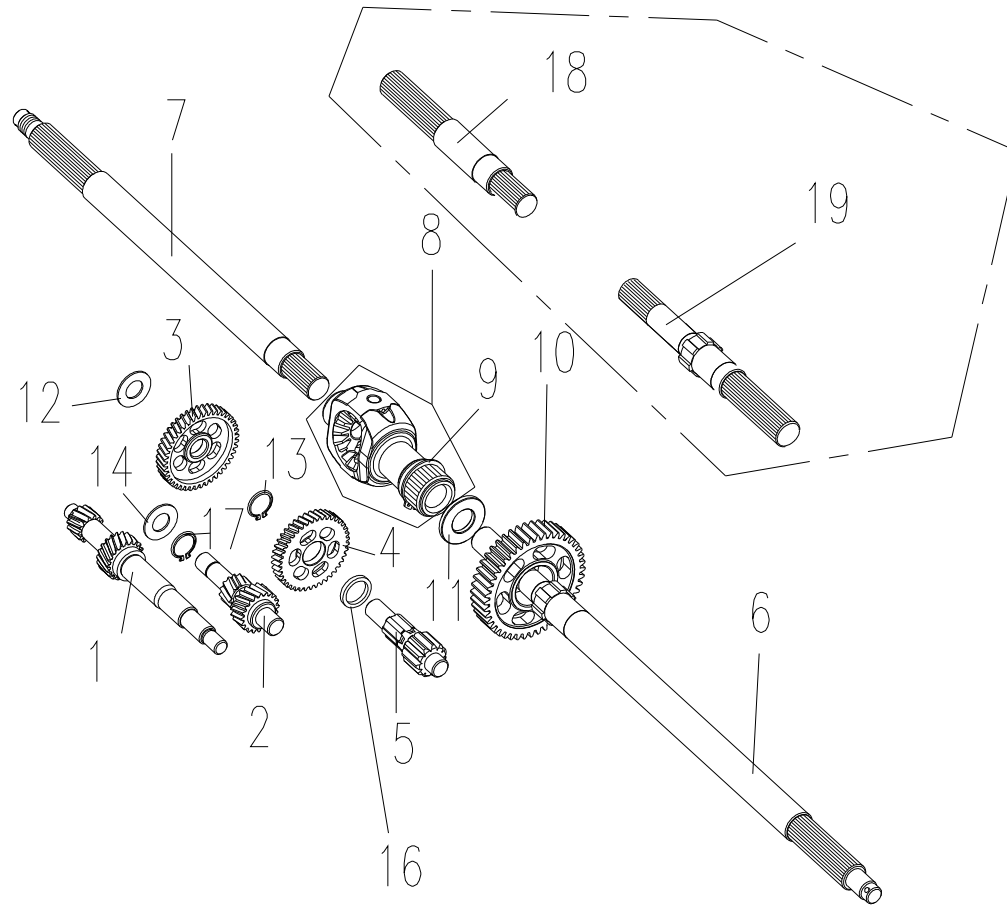


E-16 传动箱盖---TRANSMISSION COVER						
序号	代号(PART NO.)	名称	DESCRIPTION	数量	备注	单价\$
REF NO.				REGD NO.	REMARK	
1	135301010010	后齿轮箱盖（卡丁车用）	BACK GEAR CASE LID	1		
2	122411020003	后齿轮箱垫片	BACK GEAR CASE GASKET	1		
3	GB 276-94.6301	滚动轴承6301	BEARING RADIAL BALL	1		
4	GB5801-94.NK15/16	滚针轴承NK15/16	NEEDLE BEARING NK15/16	1		
5	GB 276-94.6006	滚动轴承6006	BEARING RADIAL BALL	2		
6	GB13871-92.24419	Fb油封24×41×9	FB OIL SEAL 24×41×8	1		
7	GB16674-96.0810	螺栓M8×10	FLANGE BOLT M8×10	1		
8	122411020002	垫圈8	GASKET 8	1		
9	TMTC-02-8-14	定位销8×14	POSITIONING PIN 8×14	2		
10	135301020040	后桥壳体（右）	REAR AXLE HOUSING(RIGHT)	1		
11	GB5787-86.0635	螺栓M6×35	FLANGE BOLT M6×35	7		
12	GB5787-86.0645	螺栓M6×45	FLANGE BOLT M6×45	2		
13	GB 95-85.08	垫圈 8	WASHER 8	4		
14	GB 93-87.08	弹簧垫圈 8	SPING WASHER 8	4		
15	GB70-85.0830	螺栓M8×30	FLANGE BOLT 8×30	4		
16	GB 894.1-86.50	挡圈50	BLOCK RING 50	1		
17	GB276-94.62/22	轴承62/22（22X50X14双面密封）	BEARING 62/22(22X50X14)	1		
18	135301020020	右发兰盘	RIGHT FLANGE PAN	1		

E-17

传动系

TRANSMISSION

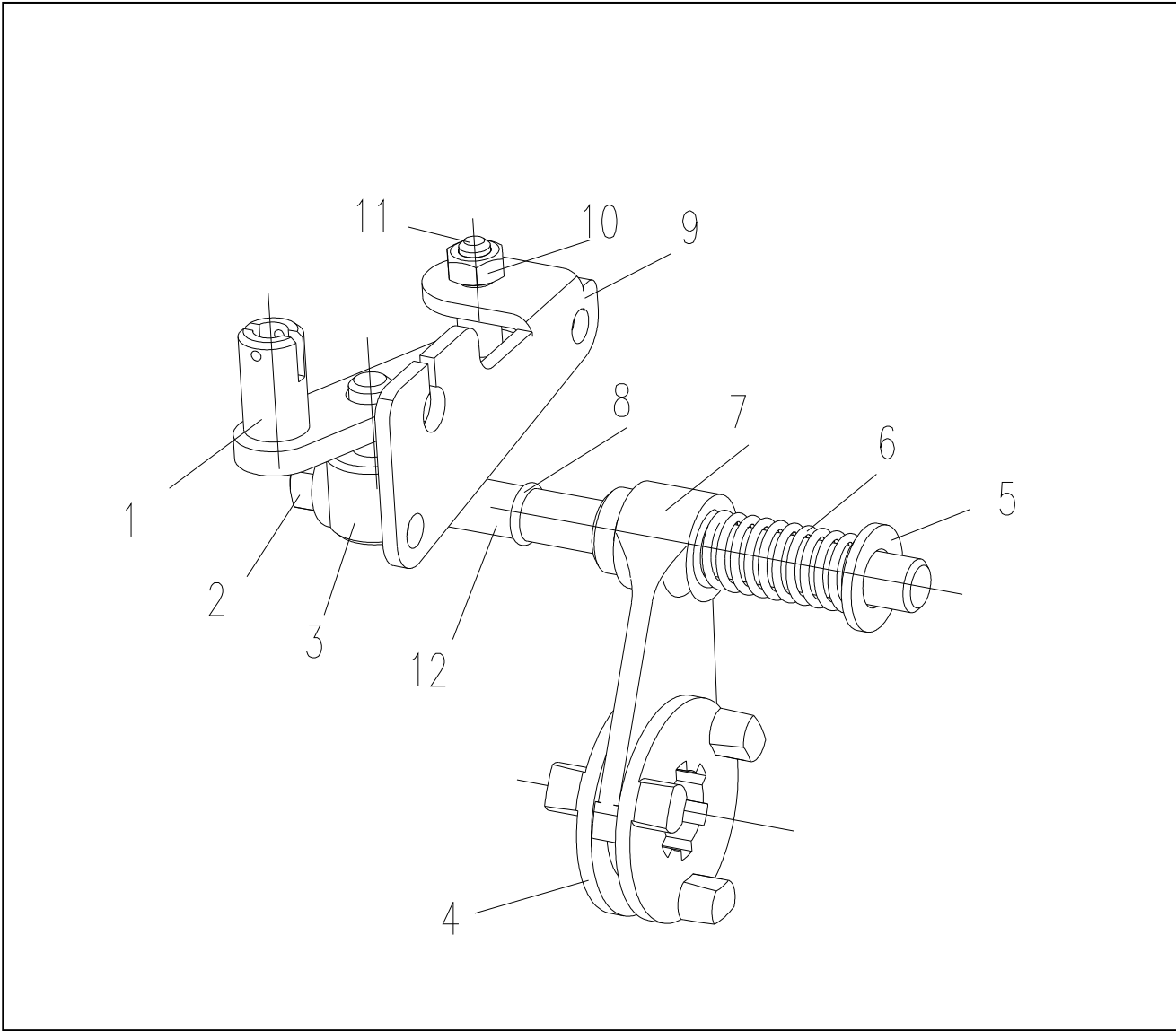


E-17 传动系---TRANSMISSION						
序号	代号(PART NO.)	名称	DESCRIPTION	数量	备注	单价\$
REF NO.				REGD NO.	REMARK	
1	135201000010	主轴	PRINCIPAL AXIS	1		
2	135201060010	倒挡轴	DRAW BACK AXLE	1		
3	135201020020	中间轴大齿轮	THE MIDDLE AXLE GEAR	1		
4	135201020030	中间轴倒挡齿轮	THE MIDDLE AXLE DRAW BACK GEAR	1		
5	135201020010	中间轴	THE MIDDLE AXLE GEAR	1		
6	135301010010	左轮轴	LEFT AXLE	1		
7	135301010020	右轮轴	RIGHT AXLE	1		
8	135201030000	差速器	DIFFERENTIAL GEAR TRAIN	1		
9	GB894.1-86.35	挡圈35	BLOCK RING 34	1		
10	135201030030	差速器齿轮	DIFFERENTIAL GEAR TRAIN WHEEL	1		
11	135201030050	推力垫片	PUSH WASHER	1		
12	135201000030	中间轴垫片	THE MIDDLE AXLE WASHER	1		
13	GB894.1-86.20	挡圈20	BLOCK RING 20	1		
14	GB95-85.1452825	垫圈 $\phi 14.5 \times \phi 28 \times 2.5$	GASKET $\phi 14.5 \times \phi 28 \times 2.5$	1		
16	135201020050	垫片20	GASKET 20	1		
17	GB894.1-86.14	挡圈14	BLOCK RING 14	1		
18	135301010010-DL	左轮轴	LEFT AXLE	1		
19	135301010020-DL	右轮轴	RIGHT AXLE	1		

E-18

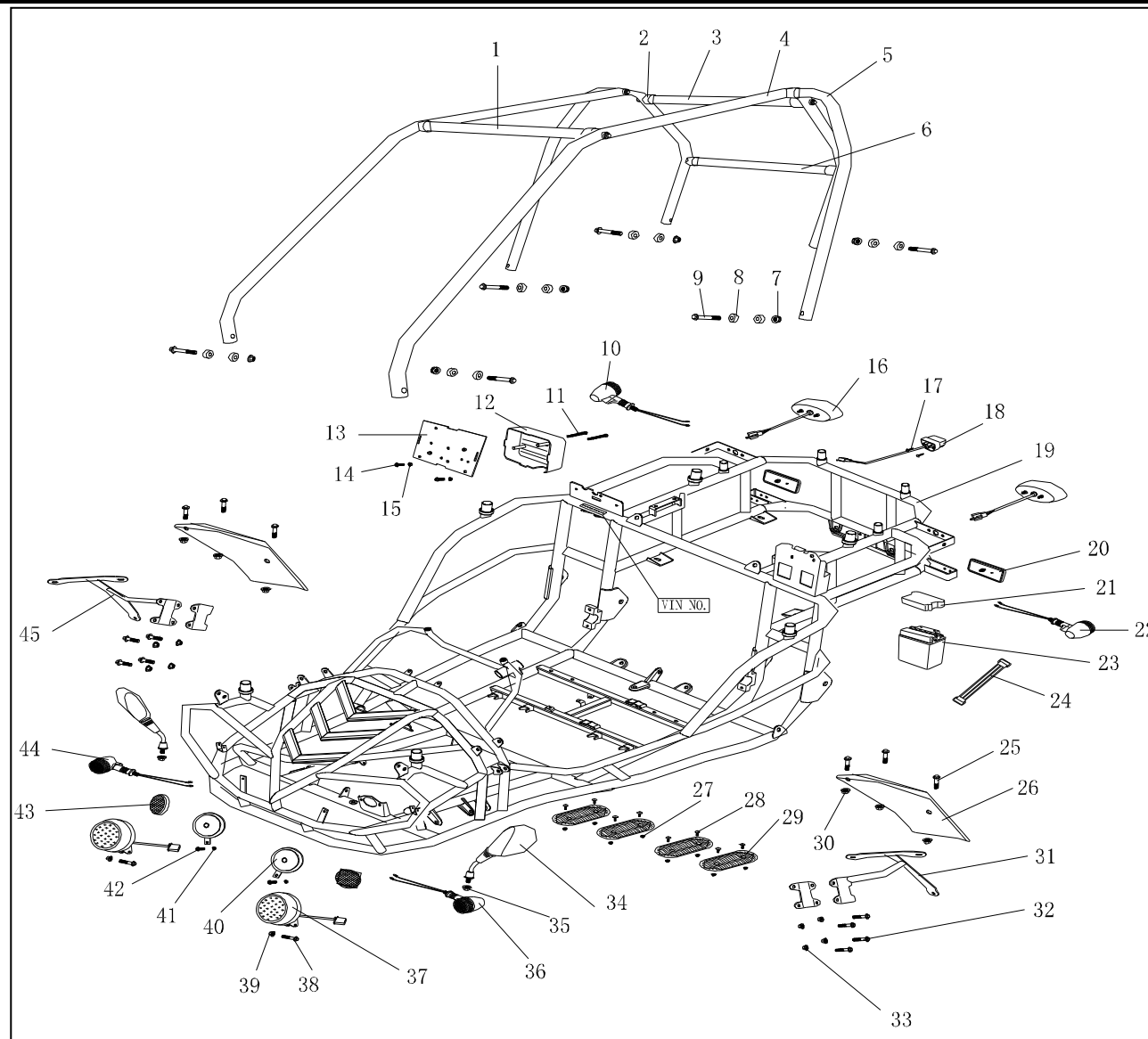
倒挡操纵机构

REVERSE CONTROL  
MECHANISM



E-18 倒挡操纵机构---REVERSE CONTROL MECHANISM						
序号	代号(PART NO.)	名称	DESCRIPTION	数量	备注	
REF NO.				REGD NO.	REMARK	
1	135201040130	连接连杆组件	CONNECTING ROD ASSY.	1		
2	GB6173-2000.08	螺母 M8	NUT M8	1		
3	135201040110	连接螺母	CONNECTING NUT	1		
4	135201020040	换档滑块	GEAR SHIFTING SLIDE	1		
5	GB95-85.11202	平垫圈 $\phi 11 \times \phi 20 \times 2$	WASHER	1		
6	135201040240	弹 簧	SPRING	1		
7	135201040230	拨 叉	SHIFT FORK	1		
8	135201040220	"O"形密封圈	O-RING SEALED 24.4x3.1	1		
9	135201040120	固定板	FIXING BOARD	1		
10	GB6173-2000.06	螺母 M6	NUT M6	1		
11	135201040140	固定转轴	FIXING AXLE	1		
12	135201040210	拨叉轴	SHIFT FORK AXLE	1		

F-1  
车体系统  
FRAME GROUP



F-1 车体系统---FRAME GROUP						
序号	代号(PART NO.)	名称	DESCRIPTION	数量	备注	
REF NO.				REGD NO.	REMARK	
1	345238030000	车顶横管3	HORIXONTAL PIPE 3 OF THE ROOF	1		
2	345000000310	塑料衬套	PLASTIC BUSH	8		
3	345238020000	车顶横管2	HORIXONTAL PIPE 2 OF THE ROOF	1		
4	345240000000	侧纵梁联杆	VERTICAL BEAM POLE	2		
5	345244000000	左右侧联杆	LEFT RIGHT SIDE POLE	2		
6	345238010000	车顶横管1	HORIXONTAL PIPE 1 OF THE ROOF	1		
7	GB/T6187.1-2000	全金属六角法兰面锁紧螺母M8	NUT M8	6		
8	345000000320	衬套(R垫)	BUSH (R CUSHION)	12		
9	GB/T5789-1986	六角法兰面螺栓M8x55	SCREW M8×55	14		
10	345009080000	后右转向灯	REAR RIGHT TURN LIGHT	1	★	
11	GB/T823-1988	十字槽小盘头螺钉M6×60	SCREW M6×60	2		
12	345009141000	电器盒盖	COVER ELECTRIC ASSY	1		
13	345209146000	电器盒底板组件	ELECTRIC BOARD	1		
14	GB/T5789-1986	六角法兰面螺栓M6x20	BOLT M6×20	2		
15	GB/T6187.1-2000	全金属六角法兰面锁紧螺母M6	NUT M6	2		
16	345009100000	尾灯刹车灯	TAIL LIGHT	2	★	
17	GB/T845-1985	十字槽盘头自攻螺钉ST3.9X13	CROSS RECESSED SCREW ST3.9×13	2		
18	345209200000E	后牌照灯	REAR LICENSE LIGHT	1		
19	345202000000	车架	FRAME COMP	1		
20	345042000000	后侧反光片	REAR REVERSE SIDE MIRROR	2		

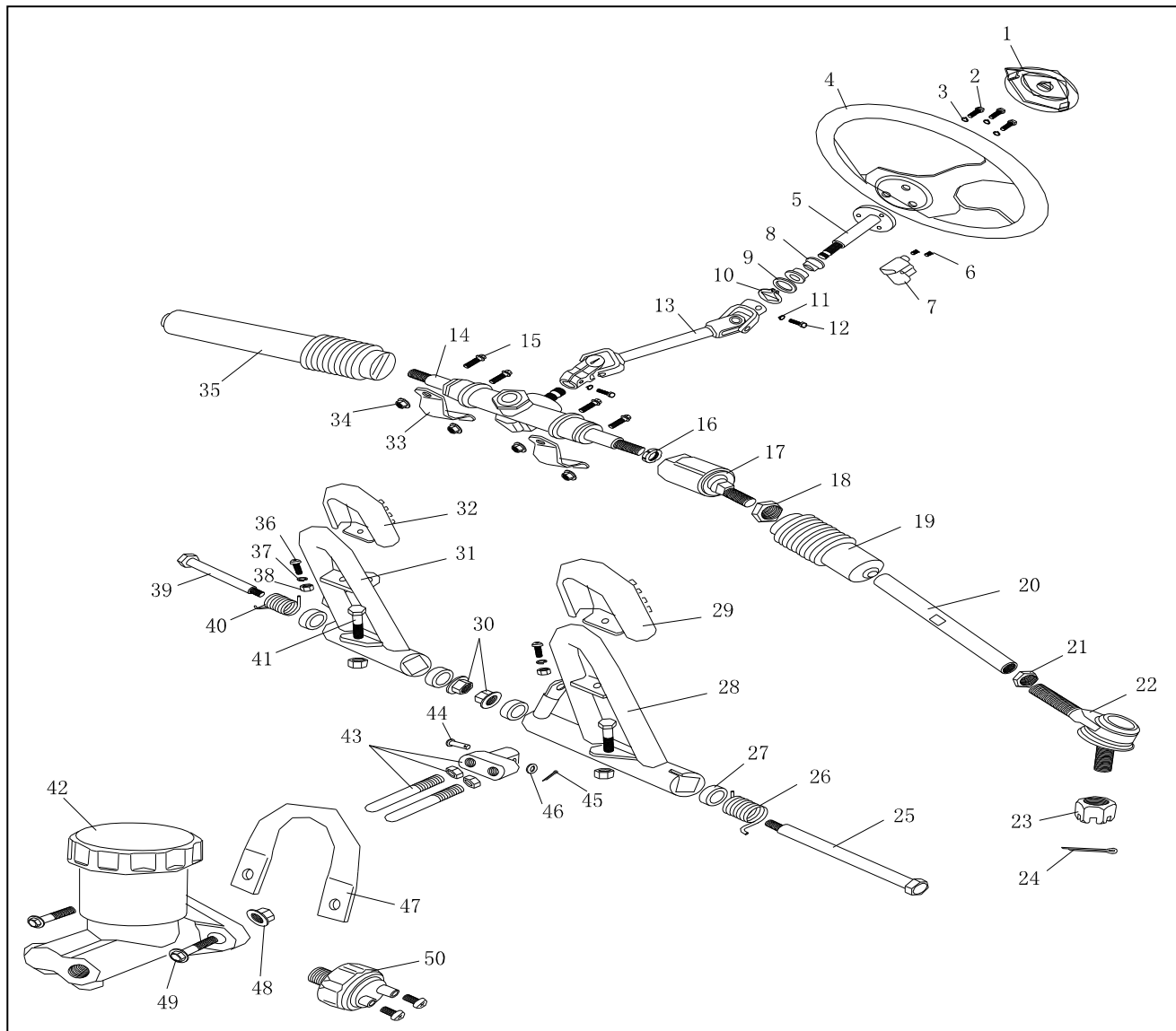
F-1 车体系统---FRAME GROUP						
序号	代号(PART NO.)	名称	DESCRIPTION	数量	备注	单价\$
REF NO.				REGD NO.	REMARK	PRICE
21	345000000660	蓄电池盒盖	COVER BATTERY	1		
22	345009070000	后左转向灯	REAR LEFT TURN LIGHT	1	★	
23	345009120000	蓄电池12V14Ah	BATTERY	1	★★★	
24	345000000670	蓄电池固定带	BAND BATTERY	1		
25	GB/T5789-1986	六角法兰面螺栓M6×14	BOLT M6×14	6		
26	345000000110	前挡泥板	FENDER FR	2	★	
27	GB/T6187.1-2000	全金属六角法兰面锁紧螺母M6	NUT M6	8		
28	GB/T819-2000	十字槽大盘头螺钉M6×12	CROSS RECESSED SCREW M6×12	8		
29	345000000620	脚踏皮	FOOT PLATE RUBBER	4		
30	GB/T6187.1-2000	全金属六角法兰面锁紧螺母M6	NUT M6	6		
31	345030010000	前左挡泥板支架	FENDER FR. SUPPORT	1	★	
32	GB/T5789-1986	六角法兰面螺栓M8×25	BOLT M8×25	8		
33	GB/T6187.1-2000	全金属六角法兰面锁紧螺母M8	NUT M8	8		
34	345219000000	左后视镜	REAR VIEW MIRROR	2	★	
35	GB/T6187.1-2000	全金属六角法兰面锁紧螺母M8	NUT M8	2		
36	345009050000	前左转向灯	FRONT LEFT CHANGE DIRECTION LIGHT	1		
37	346009110000	前照灯	HEADLIGHT UNIT	2	★	
38	GB/T5789-1986	六角法兰面螺栓M8×50	BOLT M8×50	2		
39	GB/T6187.1-2000	全金属六角法兰面锁紧螺母M8	NUT M8	2		
40	345009090000	喇叭	HORN	2		



F-2

转向系统

STEERING SHAFT ASSY.



F-2 转向系统---STEERING SHAFT ASSY.						
序号	代号(PART NO.)	名称	DESCRIPTION	数量	备注	单价\$
REF NO.				REGD NO.	REMARK	PRICE
1	345009010000	方向盘盖	STEERING WHEEL COVER	1		
2	GB/T5783-2000	六角头螺栓M6×14	BOLT M6×14	3		
3	GB/T93-1987	标准型弹簧垫圈6	SPRING WASHER 6	3		
4	345000040220	方向盘	STEERING WHEEL	1		
5	345006032000	方向盘安装轴	STEERING WHEEL AXLE	1		
6	GB/T819.2-1997	十字槽沉头螺钉M6×10	CROSS FLAT HEAD SCREWS M6×10	2		
7	345043000000	转向锁	TURNING LOCK	1		
8	345000040170	方向盘安装尼龙衬套	STEERING WHEEL BUSH	2	★	
9	345000000180	方向盘安装垫圈 φ 21× φ 28×2	STEERING WHELL WASHER φ 21× φ 28×2	1		
10	GB/T894.1-1986	轴用弹性挡圈20	CIRCLIPS FOR HOLE 20	1		
11	GB/T93-1987	标准型弹簧垫圈8	SPRING WASHER 8	2		
12	GB/T5783-2000	六角头螺栓M8×25	BOLT M8×25	2		
13	345006033000	万向节	DIRECTION UNITE AXLE	1		
14	345006031000	方向机	DIRECTION MACHINE	1		
15	GB/T5789-1986	六角法兰面螺栓M8x25	BOLT M8×25	4		
16	GB810-1988	小圆螺母 M16×1.5	SMALL ROUND NUTS M16×1.5	1		
17	345006035000	球头连接副	STEEING BALL JOINT	2		
18	GB/T6170-2000	I型六角螺母M10X1.25	NUT M10X1.25	2		
19	345006030020	防尘套(短)	DUST COVER L BALL JOINT	1		
20	345006034000	拉杆	ROD END	2		

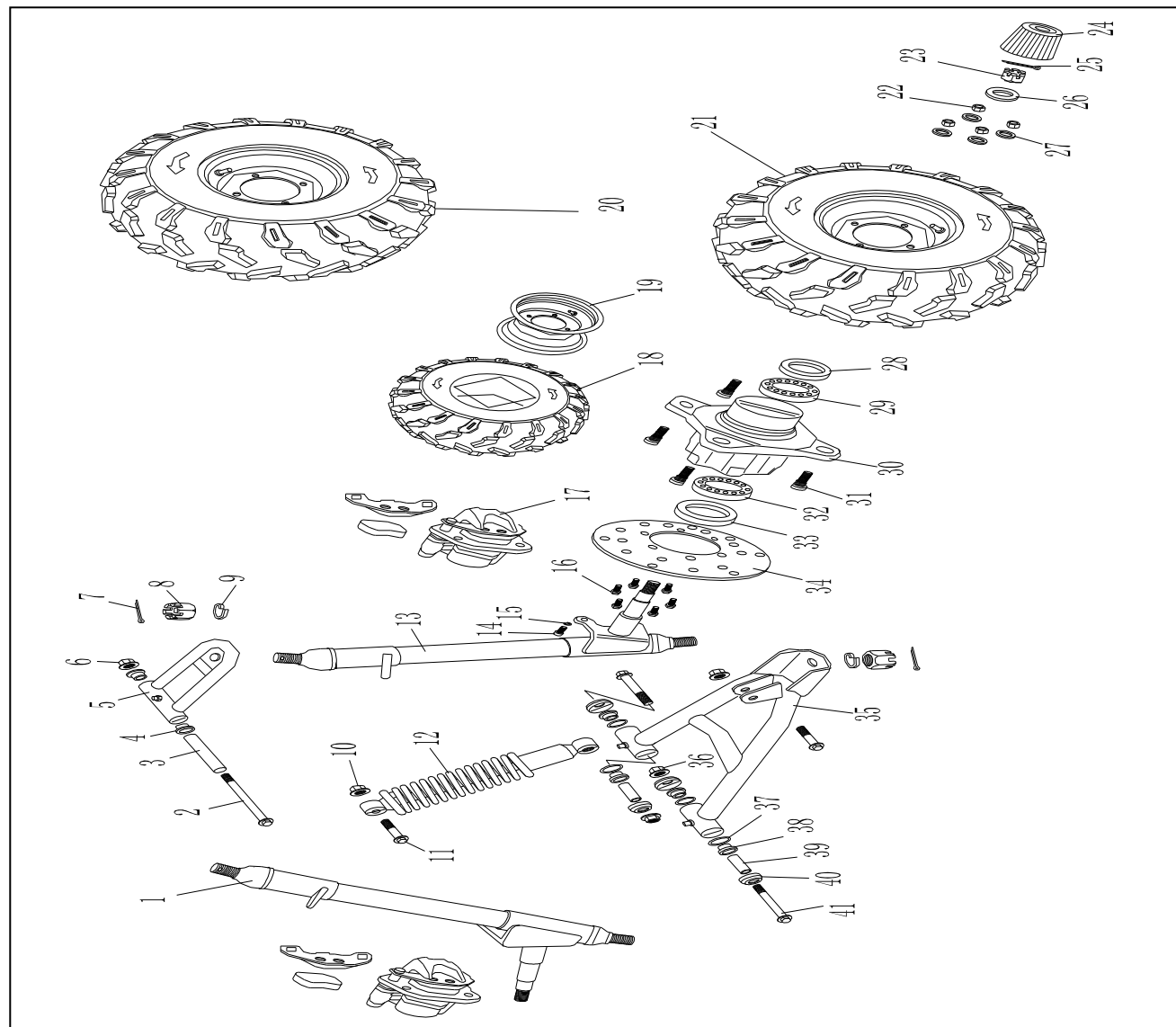
F-2 转向系统---STEERING SHAFT ASSY.						
序号	代号(PART NO.)	名称	DESCRIPTION	数量	备注	单价\$
REF NO.				REGD NO.	REMARK	PRICE
21	GB/T6170-1986	I型六角螺母M10X1.25	NUT M10X1.25	2		
22	345006034000	转向节球头	STEERING BALL	2		
23	GB/T6178-1986	1型六角开槽螺母M10×1.25	SLOTTED NUTS M10×1.25	2		
24	GB/T91-2000	开口销2×20	SPLIT PINS 2×20	2		
25	345000000200	制动踏板轴M8×φ12×220	BOLT BRAKE PEDAL M8×φ12×220	1		
26	345000000590	制动踏板扭簧	BRAKE PEDAL RETURN SPRING	1	★	
27	345000000220	右侧尼龙衬套	BUSH PEDAL	4		
28	345032000000	制动踏板组合	BRAKE PEDAL COMP	1		
29	345000000410	脚踏皮STOP	PEDAL PAD (STOP)	1		
30	GB/T6187.1-2000	全金属六角法兰面锁紧螺母M8	NUT M8	2		
31	345033000000	油门踏板组合	THROTTLE PEDAL COMP	1		
32	345000000420	脚踏皮GO	PEDAL PAD (GO)	1		
33	345000000160	转向机构夹	BRACKET STEERING GEAR	2		
34	GB/T6187.1-2000	全金属六角法兰面锁紧螺母M8	NUT M8	4		
35	345006030010	防尘套(长)	DUST COVER R BALL JOINT	1		
36	GB/T818-2000	十字槽盘头螺钉M5×16	CROSS RECESS SCREWS M5×16	2		
37	GB/T93-1987	标准型弹簧垫圈5	SPRING WASHER 5	2		
38	GB/T6187.1-2000	全金属六角法兰面锁紧螺母M5	NUT M5	2		
39	345000000230	油门踏板轴M8×φ12×148	BOLT THROTTLE PEDAL M8×φ12×148	1		
40	345000000540	油门踏板扭簧	THROTTLE PEDAL RETURN SPRING	1	★	



F-3

摇臂系统

SUSPENSION ARM ASSY.



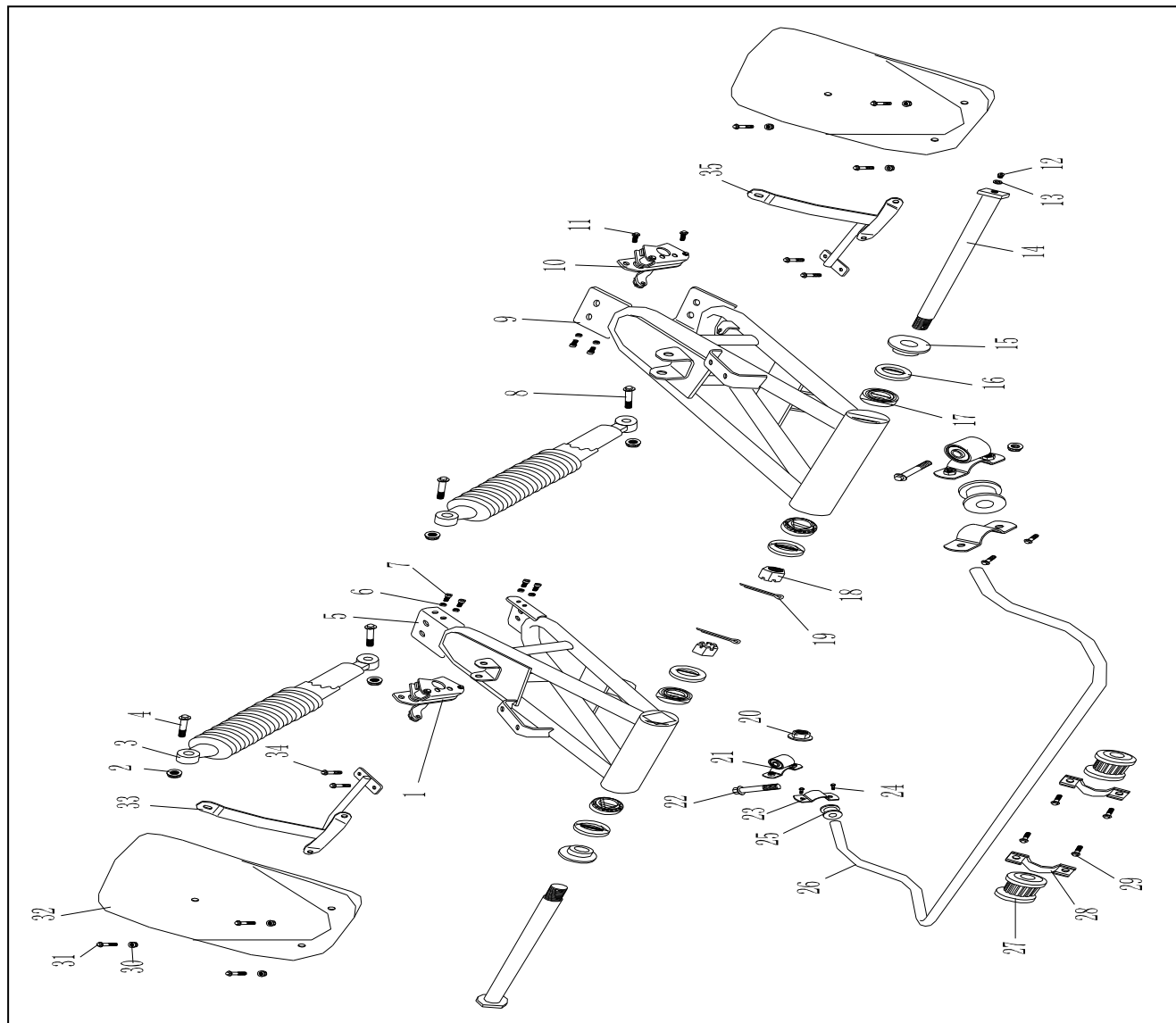
F-3 摇臂系统---SUSPENSION ARM ASSY.						
序号	代号(PART NO.)	名称	DESCRIPTION	数量	备注	单价\$
REF NO.				REGD NO.	REMARK	
1	345206020000	前轮右摇柱分总成	SUPPORT STRUT AND SPINDLE. R	1	★	
2	GB/T5789-1986	六角法兰面螺栓M8×1.25×105	BOLT M8×1.25×105	2		
3	345000000130	上摇臂衬管 φ8.5×φ12×85.5	COLLER UPPER SUSPENSION ARM	2		
4	345000000120	上摇臂尼龙衬套	BUSH UPPER SUSPENSION ARM	4	★	
5	345031010000	前轮上摇臂	UPPER SUSPENSION ARM	2		
6	GB/T6187.1-2000	全金属六角法兰面锁紧螺母M8	NUT M8	2		
7	GB/T91-2000	开口销2.5×25	PIN. COTTER 2.5×25	4		
8	GB/T6178-1986	1型六角开槽螺母M12×1.25	SLOTTED NUTS M12×1.25	4		
9	GB/T93-1987	标准型弹簧垫圈12	WASHER LOCK 12	4		
10	GB/T6187.1-2000	全金属六角法兰面锁紧螺母M10	NUT M10×1.25	4		
11	GB/T5789-1986	六角法兰面螺栓M10x1.25x40	BOLT M10×1.25×40	4		
12	345003010000	前减震器总成L=305	CUSHION ASSY. FR L=305	2	★★	
13	345206010000	前轮左摇柱分总成	SUPPORT STRUT AND SPINDLE. L	1		
14	GB/T70.1-2000	内六角圆柱头螺钉M8X14	BOLT STRAP M8×14	4		
15	GB/T93-1987	标准型弹簧垫圈8	WASHER LOCK 8	4		
16	GB/T6170-2000	六角头螺栓M6×14	HEXAGON NUTS M6×14	12		
17	345212000000	前刹分泵总成(左、右)	FRONT BRAKE CALIPER	2		
18	345004011000	前轮胎	TIRE. FR 19×7-8	2	★	
19	345004012000	前轮辋	RIM. FR	2		
20	345004020000	左前轮总成	FR. WHEEL ASSY. R	1	★	

F-3 摇臂系统---SUSPENSION ARM ASSY.						
序号	代号(PART NO.)	名称	DESCRIPTION	数量	备注	单价\$
REF NO.				REGD NO.	REMARK	
21	345004010000	右前轮总成	FR. WHEEL ASSY. L	1	★	
22	345000000760	轮子固定螺母M10×1.25	TIRE. NUT M10×1.25	8		
23	GB/T9457-1988	1型六角开槽螺母M14×1.5	SLOTTED NUTS M14×1.5	2		
24	345000000080	前轮防尘胶套	COVER. FR. HUB	2		
25	GB/T91-2000	开口销2.5×25	PIN. COTTER 2.5×25	2		
26	345000000100	前轮安装衬套 φ17×φ27×8	SPACER FR. HUB	2		
27	GB/T97.1-2002	平垫圈10	WASHER FLAT 10	8	★	
28	GB/T13871-1992	油封FB27x42x7	DUST SEAL 27×42×7	2	★	
29	GB/T276-1994	轴承6203	BEARING 6203	2	★	
30	345030000000	前轮毂	HUB. FR. WHEEL	2		
31	345000000520	辐板前轮螺栓M10×1.25×35	BOLT TIRE M10×1.25×35	8		
32	GB/T276-1994	轴承6204	BEARING 6204	2		
33	GB/T13871-1992	油封FB25x42x7	DUST SEAL 25×47×7	2		
34	345030000010	前制动盘(φ130)	DISC FR. BRAKE	2		
35	345031020000	前轮下摇臂	LOWER SUSPENSION ARM ASSY.	2		
36	GB/T6187.1-2000	全金属六角法兰面锁紧螺母M10	NUT M10×1.25	4		
37	345000000450	下摇臂端盖	DUST CAP LOWER SUSPENSION ARM	4		
38	345000000140	下摇臂尼龙衬套	BUSH LOWER SUSPENSION ARM	8	★	
39	345000000150	下摇臂衬管 φ10.5×φ15×56	COLLAR LOWER SUSPENSION ARM	4		
40	345000000450	下摇臂端盖	DUST CAP LOWER SUSPENSION ARM	4		
41	GB/T5789-1986	六角法兰面螺栓M10×1.25×80	BOLT M10×1.25×80	4		

F-4

后摇臂系统

REAR SWING ARM.



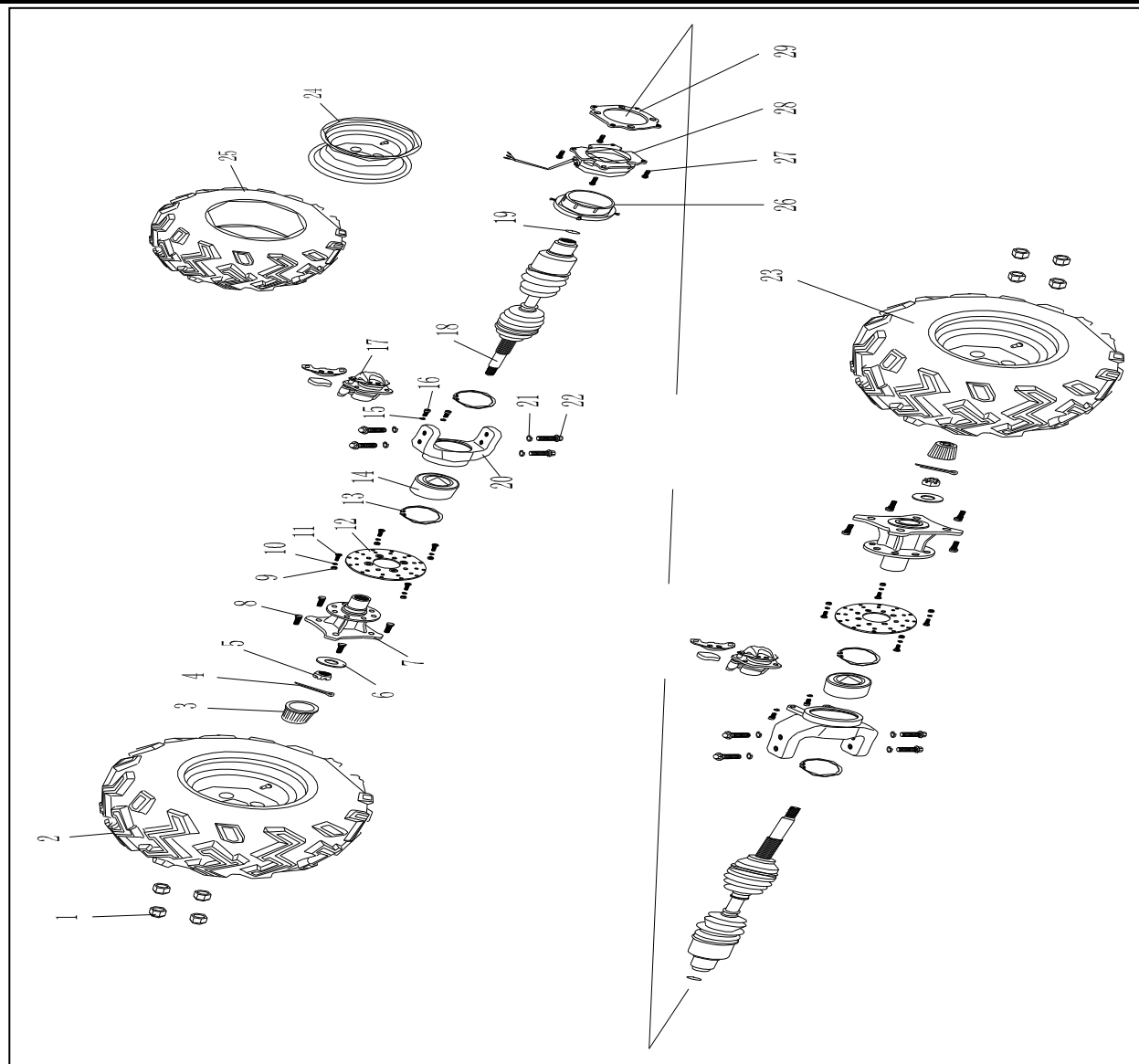
F-4 后摇臂系统---REAR SWING ARM.						
序号	代号(PART NO.)	名称	DESCRIPTION	数量	备注	单价\$
REF NO.				REGD NO.	REMARK	
1	345212030000R	右驻车制动器	RIGHT STOP CAR BRAKE CALIPER	1		
2	GB/T6187.1-2000	全金属六角法兰面锁紧螺母M10	NUT M10×1.25	2		
3	345203020000	后减震器总成 L=360	CUSHION ASSY. RR	2	★★	
4	GB/T5789-1986	六角法兰面螺栓M10x1.25x55	BOLT M10X1.25X55	2		
5	345211022000	右后摇臂	RIGHT REAR SWING SHELF	1		
6	GB/T6170-2000	1型六角螺母M8	HEXAGON NUT M8	8		
7	GB/T70.1-2000	内六角圆柱头螺钉M8X25	HEXAGON SOCKET HEAD CAP SCREWS M8X25	8		
8	GB/T5789-1986	六角法兰面螺栓M10x1.25x55	BOLT M10X1.25X55	2		
9	345211021000	左后摇臂	LEFT REAR SWING SHELF	1		
10	345212030000L	左驻车制动器	LEFT STOP CAR BRAKE CALIPER	1		
11	GB/T70.1-2000	内六角圆柱头螺钉M8X16	HEXAGON SOCKET HEAD CAP SCREWS M8X16	2		
12	345211022020	注油嘴M6	JOIN OIL MOUTH M6	2		
13	345211022010	注油嘴M6垫圈	JOIN OIL MOUTH WASHER	2		
14	345211021050	后摇臂轴	REAR SWING ARM AXLE	2		
15	345211021070	衬套	BUSH	4		
16	GB/T9877.1-1988	油封FB25×40×7	OIL SEAL25X40X7	4		
17	GB/T297-1994	轴承30203	BEARING 30203	4		
18	GB/T9457-1988	1型六角开槽螺母M16×1.5	SLOTTED NUTS M16X1.5	2		
19	GB/T91-2000	开口销2.5×40	SPLIT PINS 2.5X40	2		
20	GB/T6187.1-2000	全金属六角法兰面锁紧螺母M10	NUT M10X1.25	2		

F-4 后摇臂系统---REAR SWING ARM.						
序号	代号(PART NO.)	名称	DESCRIPTION	数量	备注	单价\$
REF NO.				REGD NO.	REMARK	
21	346030000060	稳定杆固定套	STEADY POLE BUSH	2		
22	GB/T5789-1986	六角法兰面螺栓 M10×1.25×5	BOLT M10X1.25X50	2		
23	346030000070	固定夹		2		
24	GB/T5789-1986	六角法兰面螺栓M6×20	BOLT M6X20	4		
25	346030000040	稳定杆下胶套	STEADY POLE DOWN BUSH	2	★★	
26	345211021200	稳定杆	STEADY POLE	1		
27	346030000030	稳定杆上胶套	STEADY POLE PRESSING PLATE	2	★★	
28	346030000020	稳定杆压板	STEADY POLE PRESSING PLATE	2		
29	GB/T5789-1986	六角法兰面螺栓M8×20	BOLT M8X20	4		
30	GB/T6187.1-2000	全金属六角法兰面锁紧螺母 M6	NUT M6	6		
31	GB/T5789-1986	六角法兰面螺栓 M6×16	BOLT M6X16	6		
32	345000000120	后挡泥板	REAR FENDER	2	★	
33	345230040000	后右挡泥板支架	REAR FENDER SUPPORT ®	1	★	
34	GB/T5789-1986	六角法兰面螺栓 M8×16	BOLT M8X16	4		
35	345230030000	后左挡泥板支架	REAR FENDER SUPPORT (L)	1		

F-5

后轴传动系统

REAR SHAFT TRANSMISSION.



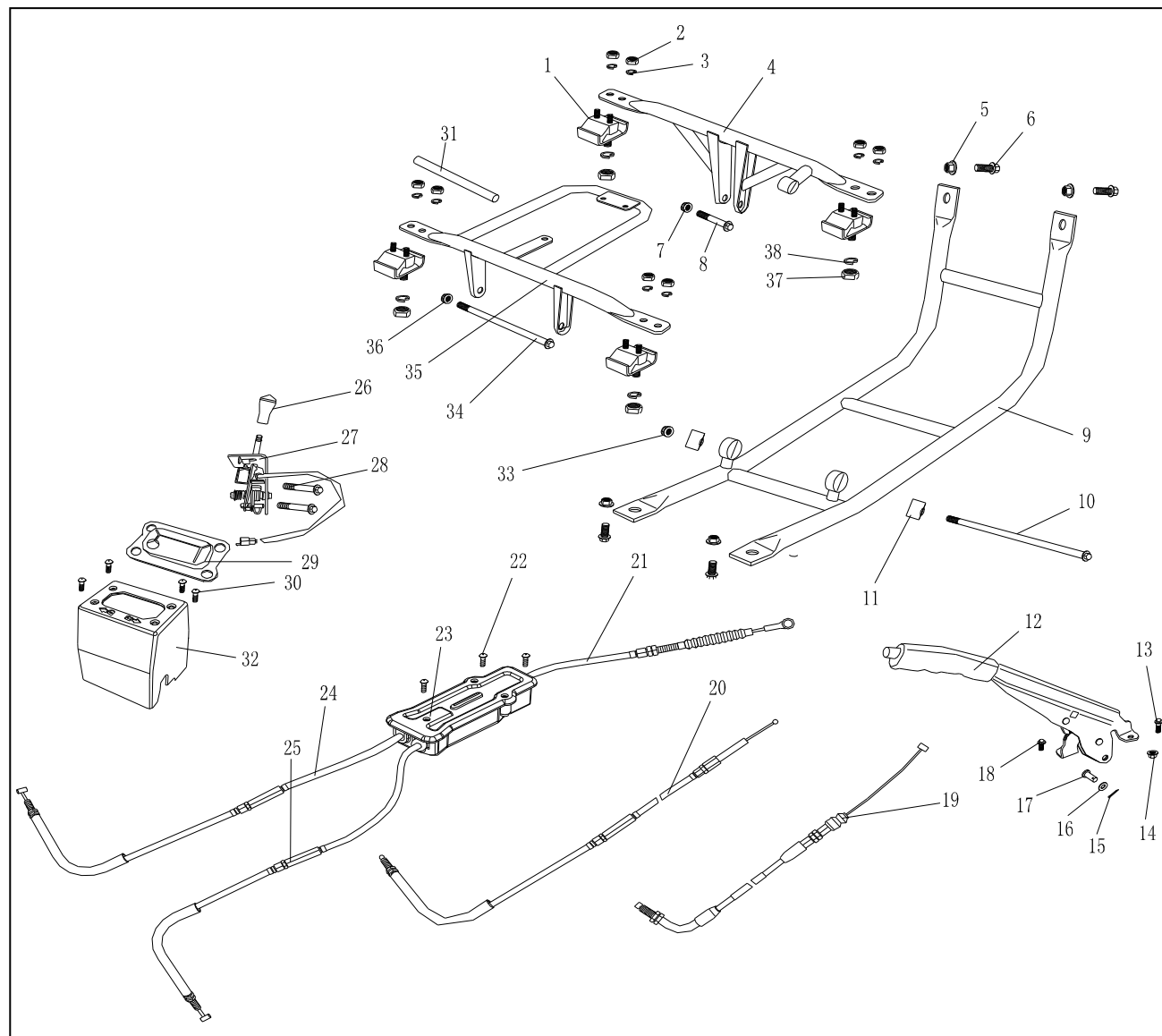
F-5 后轴传动系统---REAR SHAFT TRANSMISSION.						
序号	代号(PART NO.)	名称	DESCRIPTION	数量	备注	单价\$
REF NO.				REGD NO.	REMARK	
1	345000000760	轮子固定螺母 M10×1.25	NUT M10X1.25	8		
2	345005020000	右后轮总成	RIGHT REAR TIRE	1	★	
3	345000000080	后轮防尘胶套	COVER TR HUB	2		
4	GB/T91-2000	开口销3.2×50	SPLIT PINS 3.2X50	1		
5	345215000020	六角开槽薄螺母M18×1.5	HEXAGON SLOTTED AND CASTLE NUTS M18X1.5	2		
6	345000000560	垫圈52×18.5×3	WASHER 52X18.5X3	2		
7	345205020010	后轮毂	REAR RIM	2		
8	345200000530	辐板前轮螺栓M10×1.25×35	REAR TIRE BOLT M10X1.25X35	8		
9	GB/T6170-2000	1型六角螺母M8	HEXAGON NUTS M8	8		
10	GB/T93-1987	标准型弹簧垫圈 8	SPRING WASHER 8	8		
11	345212000020	制动盘螺钉 M8	DISC RR BRAKE SCREWS M8	8		
12	345212000010	后制动盘 (Φ170)	DISC RR BRAKE SCREWS M8	2		
13	GB/T893.2-1986	孔用弹性挡圈 72	CIRCLIPS FOR HOLE 72	4		
14	DAC37720037	轴承 (轮毂)	BEARING	2		
15	GB/T93-1987	标准型弹簧垫圈 8	SPRING WASHER 8	4		
16	GB/T70.1-2000	内六角圆柱头螺钉 M8×16	HEXAGON SOCKET HEAD CAP SCREWS M8X16	4		
17	346212030000	后刹分泵总成(左、右)	REAR BRAKE CALIPER(R、L)	2		
18	345215000000	等速万向节	UNIFORM VELOCITY OMNIPOTENT	2	★	
19	345215000010	转动轴卡簧	SHAFT CIRCLIPS FOR HOLE	2		
20	345205021000	羊角组件	SHEEP ANGLE	2		



F-6

后悬挂系统发动机保护杠

REAR HANG/ENGINE  
PROTECTION STICK.



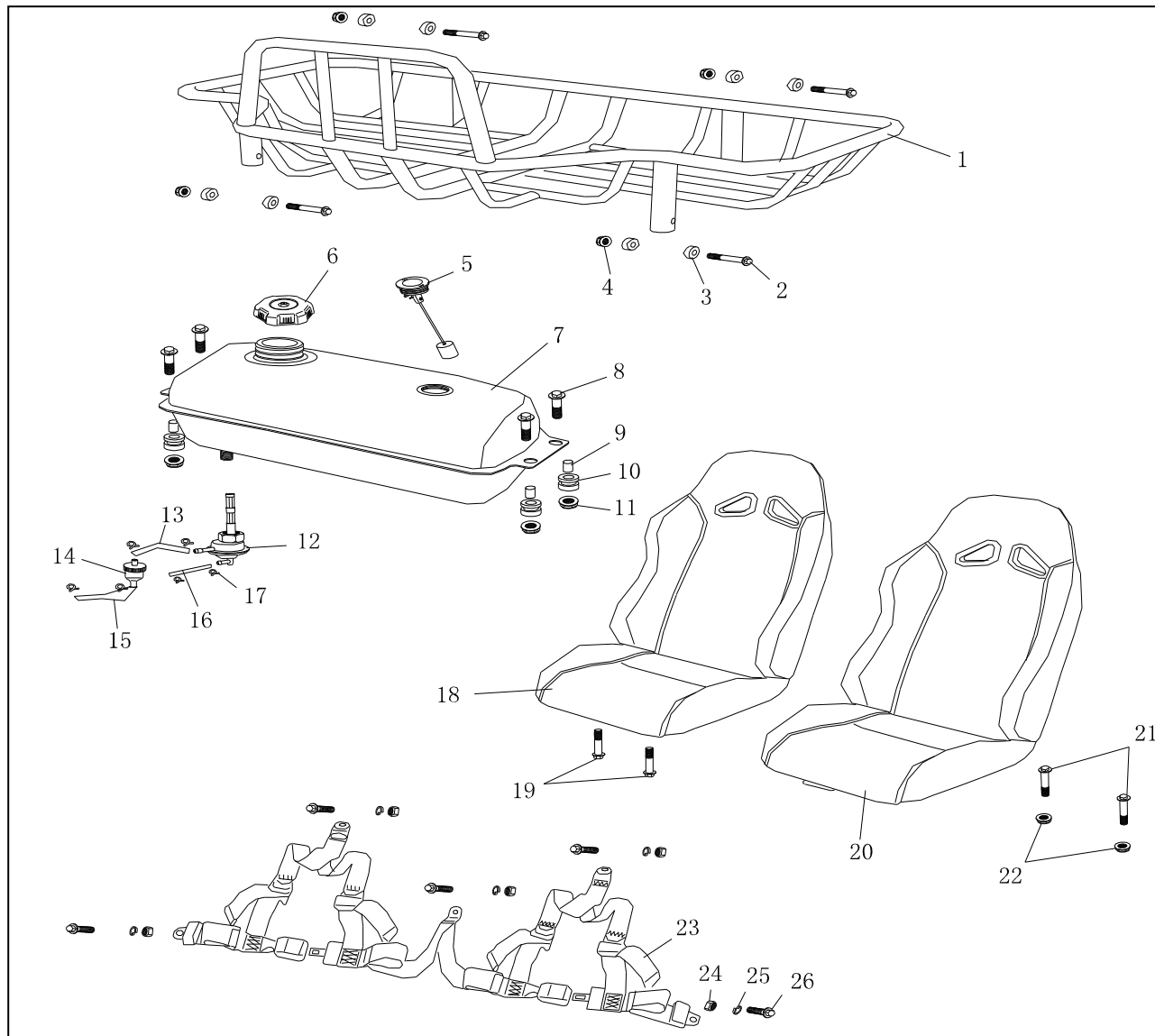
F-6 后悬挂系统发动机保护杠---REAR HANG/ENGINE PROTECTION STICK.						
序号	代号(PART NO.)	名称	DESCRIPTION	数量	备注	单价\$
REF NO.				REGD NO.	REMARK	
1	346011083000	发动机缓冲垫	ENGINE CUSHION BUSH	4		
2	GB/T6170-2000	1型六角螺母M8	HEXAGON NUTS M8	8		
3	GB/T93-1987	标准型弹簧垫圈8	SPRING WASHER 8	8		
4	345211082000	发动机后悬挂	ENGINE REAR HANG	1		
5	GB/T6187.1-2000	全金属六角法兰面锁紧螺母M10	NUT M10×1.25	4		
6	GB/T5789-1986	六角法兰面螺栓M10×1.25×20	BOLT M10×1.25×20	4		
7	GB/T6187.1-2000	全金属六角法兰面锁紧螺母M10	NUT M10×1.25	1		
8	GB/T5789-1986	六角法兰面螺栓M10×1.25×55	BOLT M10×1.25×55	1		
9	345211083000	发动机保护杠	ENGINE PROTECTION STICK	1		
10	345200000770	发动机下安装轴(M10X1.25X215)	ENGINE DOWN INSTALLATION AXLE	1		
11	345211020050	缓冲套25×10	CUSHION BUSH 25×10	2		
12	346126010000	驻车手柄	HANDLE BAR, BRAKE	1		
13	GB/T5789-1986	六角法兰面螺栓M8X20	BOLT M8×20	1		
14	GB/T6187.1-2000	全金属六角法兰面锁紧螺母M8	NUT M8	1		
15	GB/T91-2000	开口销1.6×20	SPLIT PINS 1.6×20	1		
16	GB/T5287-1985	平垫圈8	WASHER 8	1		
17	GB/T882-1986	销轴8×20	CLEVIS PINS WITH HEAD 8×20	1		
18	GB/T5789-1986	六角法兰面螺栓M8X14	BOLT M8×14	1		
19	345000000490	油门拉线	CABLE COMP THROTTLE	1		
20	345213020000	倒档拉索	CABLE COMP REVERSE	1		

F-6 后悬挂系统发动机保护杠---REAR HANG/ENGINE PROTECTION STICK.						
序号	代号(PART NO.)	名称	DESCRIPTION	数量	备注	单价\$
REF NO.				REGD NO.	REMARK	PRICE
21	345213010100	驻车拉线前段(前)	CABLE COMP HANDLE BAR (H)	1		
22	GB/T823-1988	十字槽小盘头螺钉M5×14	CROSS RECESSED SCREW M5×14	3		
23	345013012000	分线盒组件	CABLE BOX	1		
24	345213010300	驻车拉线后段(右)	CABLE COMP HANDLE BAR (R)	1		
25	345213010200	驻车拉线后段(左)	CABLE COMP HANDLE BAR (L)	1		
26	990800000050	手柄球(M12)	HANDLE BAR HEAD (M12)	1		
27	990800000000	换档器总成	REVERSE GEAR	1		
28	GB/T5789-1986	六角法兰面螺栓M8x20	BOLT M8×20	2		
29	990804000020	防护板	PROTECTION PLATE	1		
30	GB/T818-2000	十字槽盘头螺钉M5x12	CROSS RECESSED SCREW M5×12	4		
31	354011022100	吊架衬管	HANGER LINING COVER	1		
32	990804000010	罩壳	ANTI-DUST COVER	1		
33	GB/T6187.1-2000	全金属六角法兰面锁紧螺母M10	NUT M10×1.25	1		
34	345200000790	发动机上安装轴(M10X1.25X192)	ENGINE TOP INSTALLATION AXLE	1		
35	345211081000	发动机前悬挂	ENGINE ANTERIOR HANG	1		
36	GB/T6187.1-2000	全金属六角法兰面锁紧螺母M10	NUT M10×1.25	1		
37	GB/T6170-2000	1型六角螺母M10×1.25	HEXAGON NUTS M10×1.25	4		
38	GB/T93-1987	标准型弹簧垫圈10	SPING WASHER 10	4		

F-7

后货架.安全带

REAR CARGO  
RACK/SEAT/BELT



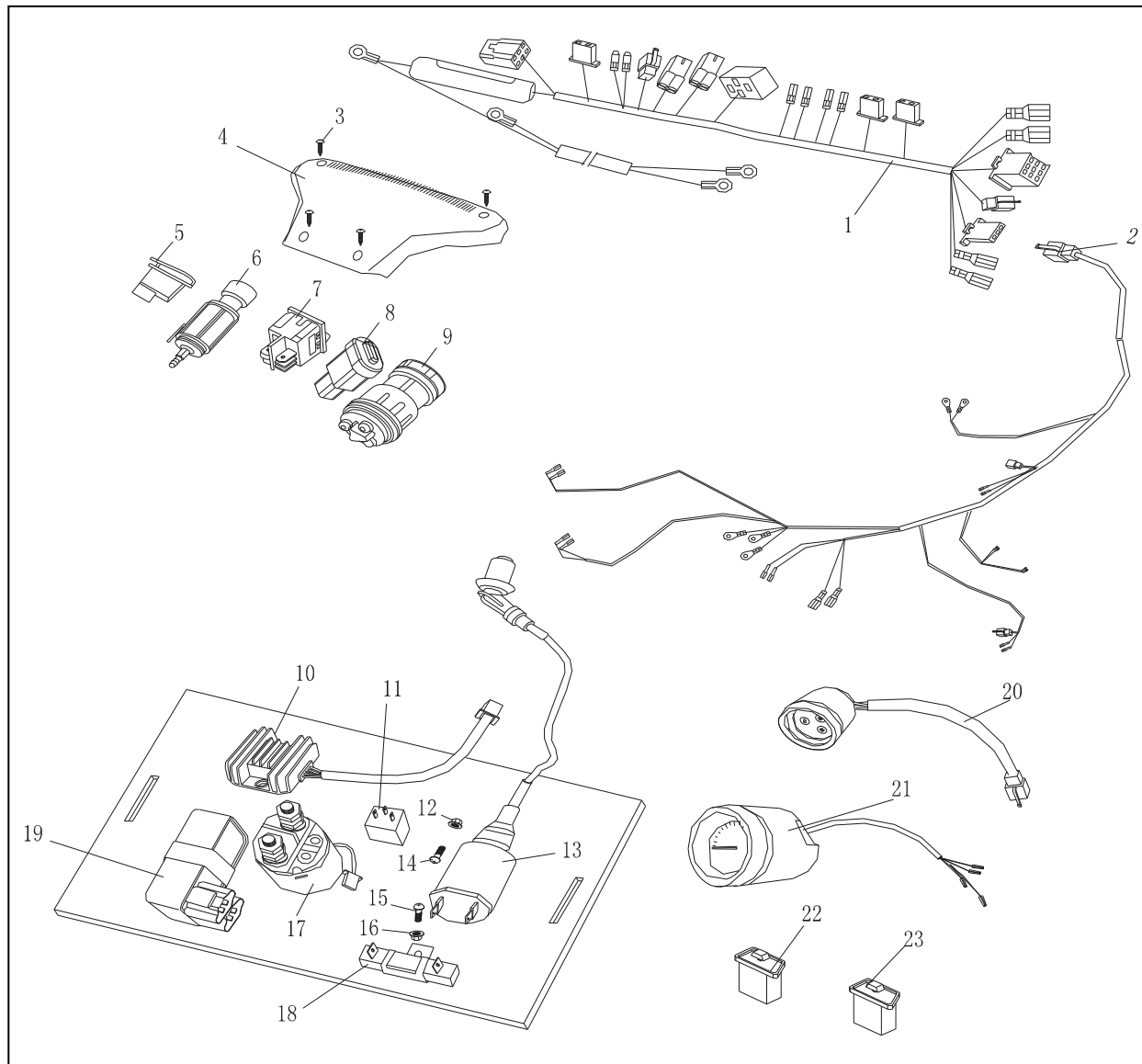
F-7 后货架.安全带---REAR CARGO RACK/SEAT/BELT						
序号	代号(PART NO.)	名称	DESCRIPTION	数量	备注	单价\$
REF NO.				REGD NO.	REMARK	PRICE
1	34521000000	后货架	REAR CARGO RACK	1		
2	GB/T5789-1986	六角法兰面螺栓M8x1.25x50	BOLT M8×1.25×50	4		
3	345000000320	衬套(R垫)	BUSH (R CUSHION)	8		
4	GB/T5789-1986	六角法兰面螺母M8	NUT M8	4		
5	345208040000	油量器	OIL LEVER MACHINE	1		
6	345008020000	油箱盖	CAP COMP FUEL FILLER	1		
7	345008010000	油箱	TANK COMP FUEL	1		
8	GB/T5789-1986	六角法兰面螺栓M8x30	BOLT M8×30	4		
9	345000000060	油箱安装衬套 φ8x φ10x12	COLLAR TANK COMP φ8×φ10×12	4		
10	345000000050	油箱减震胶垫	RUBBER MOUNT	4	★★	
11	GB/T6187.1-2000	全金属六角法兰面锁紧螺母M8	NUT M8	4		
12	345008030000	油开关	COCK ASSY. FUEL AUTO	1		
13	345000000030	负压管 I	TUBE COMP FUEL 1	1		
14	345008040000	汽油过滤器	FILTER	1	★	
15	345000000040	负压管 II	TUBE COMP FUEL 2	1		
16	345000000010	进油管 I	TUBE COMP VACUUM	1		
17	345000000070	油管卡簧 φ8	CLIP FUEL TUBE	6		
18	345207020000	副座垫	SEAT COMP R	1		
19	GB/T5789-1986	六角法兰面螺栓M8x40	BOLT M8×40	2		
20	345207010000	主座垫	SEAT COMP L	1		



F-8

电路系统

WIRE HARNESS/ELECTRICAL



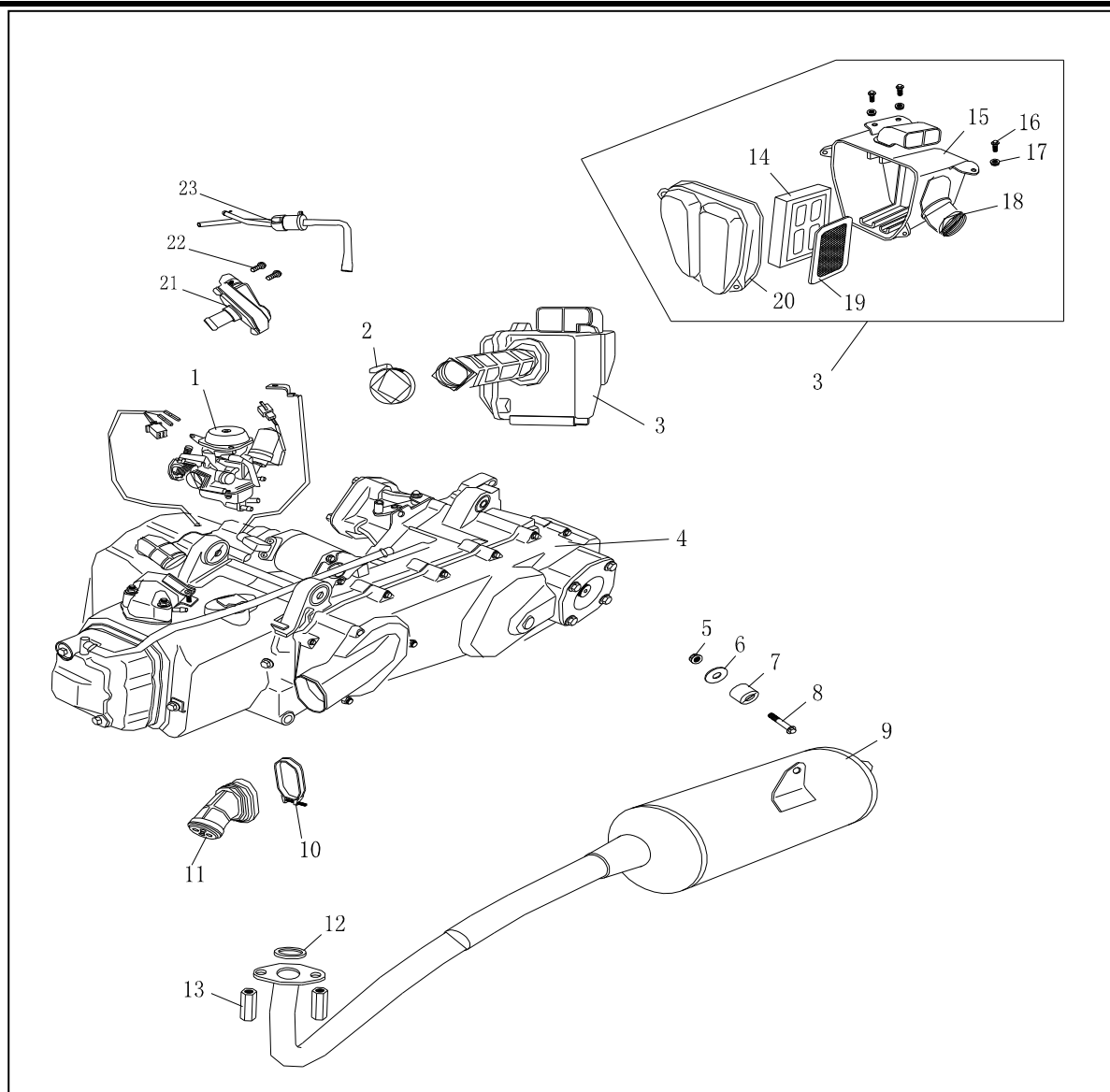
F-8 电路系统---WIRE HARNESS/ELECTRICAL						
序号	代号(PART NO.)	名称	DESCRIPTION	数量	备注	单价\$
REF NO.				REGD NO.	REMARK	
1	345209020000	电缆1	HARNESS WIRE1	1		
2	345209030000	电缆2	HARNESS WIRE2	1		
3	GB/T845-1985	十字槽盘头自攻螺钉ST4.2×12	AUTO PAN ST4.2×12	4		
4	345009010010	面板壳	COVER SWITCH	1		
5	345009014000	喇叭按钮	HORN BUTTON	1		
6	345009019000	应急电源插座	CIGAR LIGHTER	1		
7	345009013000	远近光开关	HEADLIGHT SWITCH	1		
8	345009015000B	危急开关	ENGINE STOP BUTTON	1		
9	345009016000	电源开关	IGNITION START SWITCH	1		
10	345009143000	整流调节器	RECTIFIER COMP REGULATE	1		
11	345009018000	三线闪光器	CONTROL RELAY	1		
12	GB/T6187.1-2000	全金属六角法兰面锁紧螺母M6	NUT M6	1		
13	345009142000	点火线圈	COIL COMP IGNITION	1		
14	GB/T823-1988	十字槽小盘头螺钉M6×25	PAN M6×25	1		
15	GB/T823-1988	十字槽小盘头螺钉M4×10	PAN M4×10	1		
16	GB/T6187.1-2000	全金属六角法兰面锁紧螺母M4	NUT M4	1		
17	345009146000	电器盒底板组件	STARTING RELAY	1		
18	345009144000	泄流电阻	RESISTOR COMP 10W 10Ω	1		
19	345009141000	点火器	UNIT COMP C. D. I.	1		
20	345230030000	转向灯指示表	INDICATOR	1		



**F-9**

发动机.消音器.空滤器.  
化油器

ENGINE/MUFFLER/AIR  
CLEANER/CARBURETOR



F-9 发动机.消音器.空滤器.化油器---ENGINE/MUFFLER/AIR CLEANER/CARBURETOR						
序号	代号(PART NO.)	名称	DESCRIPTION	数量	备注	单价\$
REF NO.				REGD NO.	REMARK	
1	345216000000	化油器	CARBURETOR	1	★	
2	345218000010	空滤器卡箍	BAND AIRCLEANERCONNECTING TUBE	1		
3	345218000000	空滤器	AIR CLEANER ASSY	1	★	
4	345201000000	发动机	ENGINE	1		
5	GB/T6187.1-2000	全金属六角法兰面锁紧螺母M8	NUT M8	1		
6	GB/T96.1-2002	大垫圈 $\phi 8.5 \times \phi 24 \times 2$	WASHER FLAT $\phi 8.5 \times \phi 24 \times 2$	1		
7	345217020000	消声器固定缓冲垫	MUFFLER SHOCK ATTENUATION BUSH	1		
8	GB/T5787-1986	六角法兰面螺栓M8×35	BOLT M8×35	1		
9	345217000000	消声器	MUFFLER	1		
10	345000000810	冷风管卡箍	CLAMP BOOT	1		
11	345201000020	冷风管	BOOT SIDE CASE	1		
12	345000000630	消声垫	MUFFLER WASHER	1	★	
13	345000000790	消声器螺母M8×35	MUFFLER NUTS M8×35	2		
14	345218000020	二次空滤器滤芯	ELEMENT AIR CLEANER SECOND	1	★★★	
15	345218000030	空滤器壳体	CASE COMP AIR CLEANER	1		
16	GB/T5787-1986	六角法兰面螺栓M6×20	BOLT M6×20	3		
17	GB/T6187.1-2000	全金属六角法兰面锁紧螺母M6	NUT M6	3		
18	345218000040	空滤器接头	AIR CLEANER CONNECTING TUBE	1		
19	345218000050	空滤器滤芯	ELEMENT AIR CLEANER	1		
20	345218000060	空滤器盖	COVER AIR CLEANER	1		

